



400 series wall hood

AW 442

AW 442 720

Stainless steel.
Width 48" (120 cm).
Air extraction/Air recirculation.
Without blower. (Choose from 400 series AR400743 internal, AR400742 inline or AR401742 remote blower.)
Duct cover not included.

Installation accessories for air extraction mode

AD 442 012

Stainless steel duct cover, length: 24 7/16", for 7' 9" - 8' 6" ceiling heights (2.35 - 2.60 m).

AD 442 022

Stainless steel duct cover, length: 33 7/16", for 8' 6" - 10' 2" ceiling heights (2.60 - 3.10 m).

Installation accessories for air recirculation mode

AD 442 112

Stainless steel duct cover, length 24 7/16", for 7' 9" - 8' 6" ceiling heights (2.35 - 2.60 m).

AD 442 122

Stainless steel duct cover, length: 33 7/16", for 8' 6" - 10' 2" ceiling heights (2.60 - 3.10 m).

Optional accessories

Part #11049036

Activated charcoal filter for recirculation module AA442810.

AD 442 392

Stainless steel ceiling collar, covers screws on duct cover and uneven gaps of ceilings that are not completely flat.

AA 442 810

Air recirculation module inclusive 2 activated charcoal filters with high efficient odor reduction due to increased surface
For air recirculation.
Can be combined with island and wall-mounted hood AI/AW 442.

Combinable with:

All Vario cooktops 400 series.
All Vario cooktops 200 series.
All cooktops 400 series.
All cooktops 200 series.

Good to know:

The hood has to be larger than the cooktop(s).

Installation accessories for the air recirculation ducts can be found starting on page 196.

Model AW 442 720

Blower AR 400 743

Exhaust Discharge: vertical
Speed: High speed
Static Pressure (in H2O): 0.1"
HVI Wats: 59
CFM/Watt: 5.86
HVI CFM: 340
Sones (Reportable): 4.5

Model AW 442 720

Blower AR 400 743

Exhaust Discharge: vertical
Speed: Working speed
Static Pressure (in H2O): 0.028"
HVI Wats: 14
CFM/Watt: 13.36
HVI CFM: 180
Sones (Reportable): 0.5

Highlights

- Professional technology hood combined with classic Gaggenau design.
- Highly efficient extraction of cooking vapors due to a large vapor collection area.
- Comes without blower, can be combined with (BLDC) blowers.
- Angled baffle filter with high grease absorption.
- Automatic function, sensor-controlled power adjustment depending on the build-up of cooking vapors.
- Dimmable, neutral white LED lighting for ideal illumination of the cooktop.
- Air extraction or air recirculation system.
- Air recirculation module with activated charcoal filter: quiet and highly efficient recirculation solution with odor reduction as in air extraction mode, and long replacement intervals.

Features

3 electronically controlled power levels and 1 intensive mode.
Automatic function with sensor-controlled run-on function.
Grease filter saturation indicator.
Baffle filter, dishwasher-safe.
Neutral white surface LED light (3,500 K), continuously dimmable.
Lamp output 3x 10 W (48") / 4x 10 W (63").
Illuminance 1,110 lx (48") / 1,010 lx (63").
Easy mounting system for simple installation and alignment.

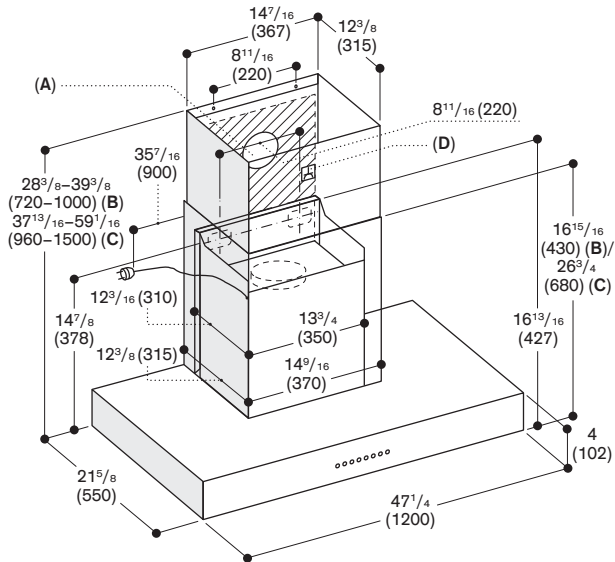
Planning notes

For recirculation, use internal blower AR400743.
To chose the correct blower for extraction, refer to the 400 series blower overview on page s 208-209.
The two-part duct cover must be ordered as an installation accessory.
Connection to the respective appliances via network cable.
Minimum clearance above gas or induction cooktops is 30".
Air air recirculation module with 2 activated charcoal filters is installed in the inner duct cover. Special recirculation duct covers are available for this.

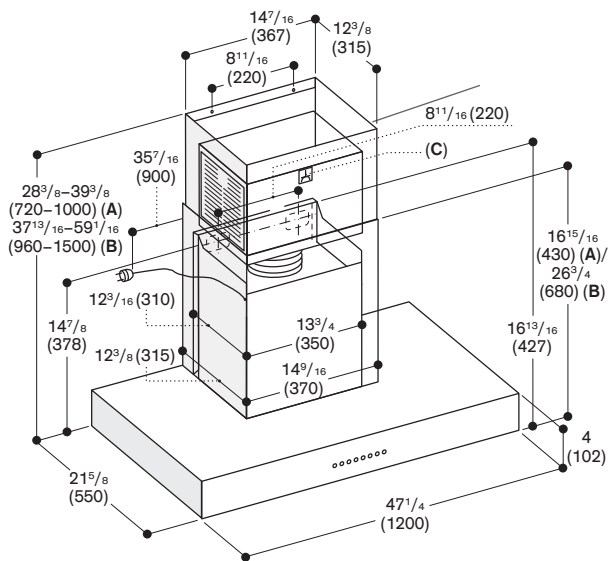
Please read additional planning notes on page 172.

Rating

Total rating: 40 W (48").
Total Amps: 10 (48").
120 V / 60 Hz.
Connecting cable 35" with plug.

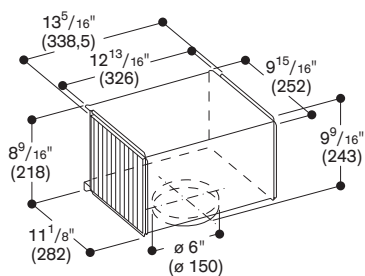


- A:** Air extraction outlet
B: With air extraction chimney AD 442 012, suitable for ceiling heights from 7.6 ft (2.35 m) to 8.6 ft (2.60 m)
C: With air extraction chimney AD 442 022, suitable for ceiling heights from 8.6 ft (2.60 m) to 10.2 ft (3.10 m); specifications refer to the distance of 5.2 ft (1.60 m) from the floor to the lower edge of the hood
D: Outlet



- A:** With air recirculation chimney AD 442 112, suitable for ceiling heights from 7.6 ft (2.35 m) to 8.6 ft (2.60 m)
B: With air recirculation chimney AD 442 122, suitable for ceiling heights from 8.6 ft (2.60 m) to 10.2 ft (3.10 m); specifications refer to the distance of 5.2 ft (1.60 m) from the floor to the lower edge of the hood
C: Outlet

Air recirculation module AA 442 810



All measurements in inches (mm).

www.gaggenau.com/us
 Revised: March 2025

Gaggenau reserves the absolute and unrestricted right to change product materials and specifications, at any time, without notice. Consult the product's installation instructions for final dimensional data and other details prior to making cutout. Warranties: Please see Use & Care manual or Gaggenau website for statement of limited product warranty. For more information on our entire line of products, go to www.gaggenau.com or call 1-877-442-4436.