



AR 400 742
Metal housing
482 CFM
Air extraction
Inside installation

400 series inline blower AR 400

- Powerful blower to combine with 400 series ventilation systems such as AL 400 retractable downdraft, VL 414 downdraft and AW/AI 442 professional wall/island hood.
- Quiet blower with high-efficiency BLDC technology.

Output

3 performance output levels and intensive mode.
Sound power and sound pressure depending on built-in situation.
Air extraction: 482 CFM.
Power levels depend on the ventilation system.

Features

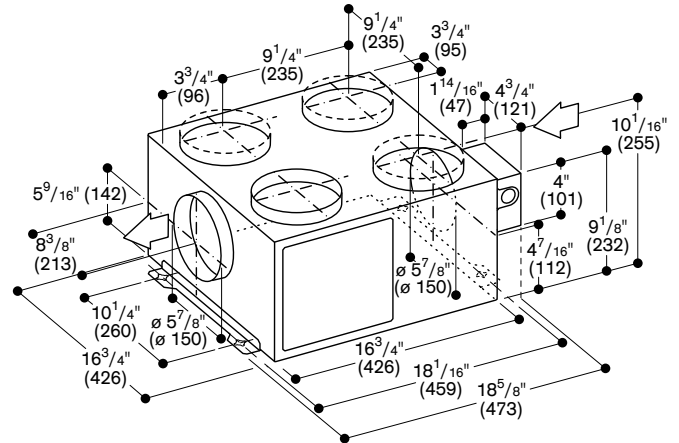
3 electronically controlled power levels and 1 intensive mode.
Blower technology with highly efficient, brushless DC motor (BLDC).
Metal housing, zinc-plated.
Duct connection pieces on air intake side: 1x $\varnothing 6''$ round, 4x $\varnothing 6''$ round.
Duct connection piece on output side: 1x $\varnothing 6''$ round.
Spare cover for closing an air intake is included.
Retaining bracket for ceiling installation or installation on the inner side of a cabinetry is included.

Planning notes

AR400742 inline blower can only be combined with 400 series ventilation systems such as AL 400 retractable downdraft, VL 414 downdraft and AW/AI 442 professional wall/island hood.
Connection to the respective appliances via network cable.
Installation in the base cabinet: possible in areas with two cabinet drawers or on the floor with a cut-out in the base cabinet. Panel-free toe-kick possible.
Installation in a separate room, attic or crawl space allows for a reduced noise level in the kitchen.

Rating

Total rating: 210 W.
Total Amps: 2 A.
120 V / 60 Hz
Connecting cable not included.
Hard wire required.
16'' network cable included.



5x $\varnothing 6''$ ($\varnothing 150$)
2 connecting pieces included