

The difference is Gaggenau.

The flat kitchen hood
The ventilation 200 series

The flat kitchen hood 200 series

A Gaggenau invention in 1982, we have now upgraded our flat kitchen hood. This brochure is designed for those updating their kitchen hood with one of the latest versions: AF 211/AF 210/AF 200. Vitality their dimensions vary only slightly from the previous AH 250 and AH 900, so it is a simple job to replace them.

The new flat kitchen hoods are quiet, energy efficient (A and A+) and powerful thanks to the BLDC fan technology. Featuring an integrated glass panel in the steam screen and dimmable illumination, the chef can choose between three power levels plus an intensive option. Alternatively it can be left to the hood's sensors to automatically

regulate the power based upon the vapour in the air. With a touch of the handle bar, the screen extends out, with the addition of the optional lowering frame, the hood becomes completely concealed within the cabinet.

Type reference
AF 211, AF 210, AF 200

Dimensions
Width 90 cm, 60 cm

Finishes
Stainless steel or aluminium handle bar



Installation notes

Changes for the AH 250 to AF 200

1. Check necessary dimensions of the upper cabinet (Diag. A)

Depth: minimum 320 mm
(with lowering frame: minimum 350 mm)

Height: air extraction minimum 420 mm
air recirculation 600 mm

2. Remove base of the cabinet (Diag. B)

Removal of lower frame on all three sides (cut out orange)

Attention: stabilizer bar (if existing) remains in the wall unit

If the wall unit is unstable, please have a specialist install a support bar

Adjust the cover below the existing spice rack

3. Assemble the AF 200 as described in the installation instruction

4. Spice rack

For air extraction:

AF 200 adjust the base of the spice rack (Diag. B)

For air recirculation: (Diag. D)

Cut panel at the top, so the drawer with the activated charcoal filter can be removed for filter exchange

Changes for the AH 900 to AF 211/AF 210

1. Check necessary dimensions of the upper cabinet (Diag. A)

Depth: minimum 320 mm
(with lowering frame: minimum 350 mm)

Height: air extraction minimum 420 mm
air recirculation 600 mm

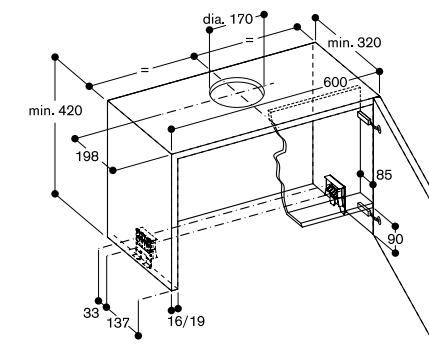
2. Remove old fitting kit

3. Assemble the AF 211/AF 210 as described in the installation instruction guide (Diag. C)

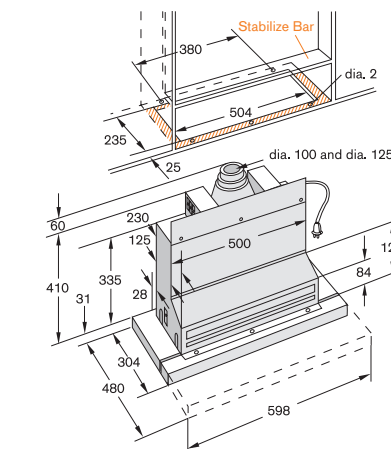
4. Spice rack (Diag. D)

Spice rack only possible from the height of 320 mm (Diag. D)

Diag. A

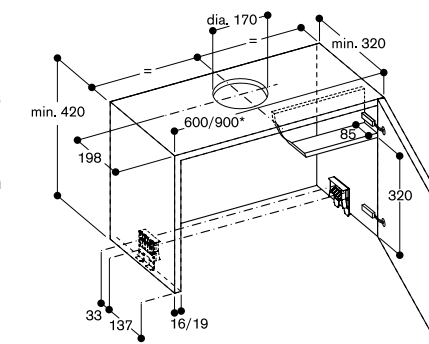


Diag. B
Upper cabinet for AF 200 160

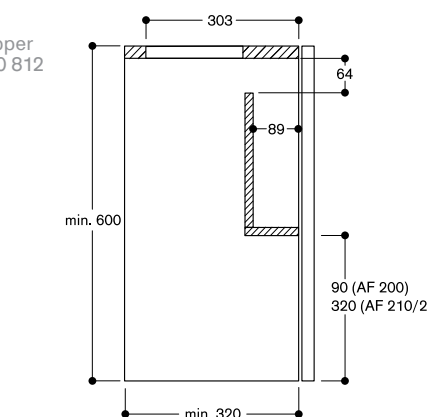


Diag. C
Upper cabinet for AF 210/211

*for upper cabinets measuring 90 cm, the AA 210 491 installation set is required in addition



Diag. D
Cross section of upper cabinet with AA 210 812



For further information see Models & Dimensions or www.gaggenau.com

The ventilation 200 series

The 200 series offers a wealth of ventilation options, from wall-mounted or island hoods, as well as downdraft appliances in the cooktop surface and canopy extractors. From the minimalist downdraft and flat kitchen hood to the imposing pieces such as the AW 250 angled canopy hood and AI 230/AI 240 and AW 230/AW 240 island and wall-mounted hoods, their quiet power impresses. Providing high-powered illumination or mood lighting, recirculating or externally venting the air, they can be manually controlled or set to automatically adjust their power levels in reaction to the vapours in the atmosphere.



They can reduce odours by as much as 95 %. Maintenance is a simple matter of putting the easy to remove rim extraction or stainless steel grease filters in the dishwasher.