



Visor hood

The 200 series ventilation

The 200 series visor hood

First invented by Gaggenau in 1982, we have now upgraded our visor hood. This brochure is designed for those updating their kitchen hood with the latest version: AF 210. The dimensions vary only slightly from the previous AH 900, so it is a simple replacement job.

The new visor hood is powerful but quiet. Featuring an integrated glass panel in the steam screen and dimmable illumination, the chef can choose between three power levels plus an intensive option. At a touch of the frame, it extends out, and with the addition of the optional lowering frame, the hood becomes completely concealed behind the cabinet.

Model Reference

AF 210

Dimensions

Width 36" (AF 210 791), 24" (AF 210 761)

Finish

Stainless steel



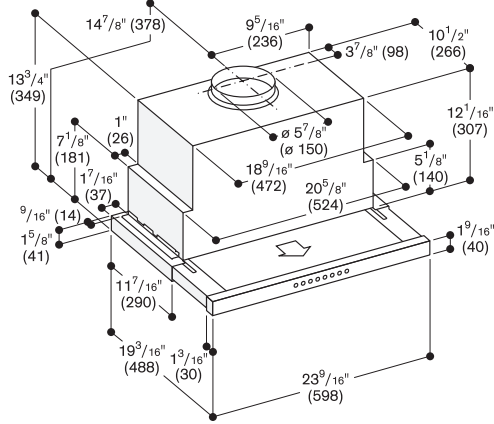
Installation notes

Changes for the AH 900 to AF 210

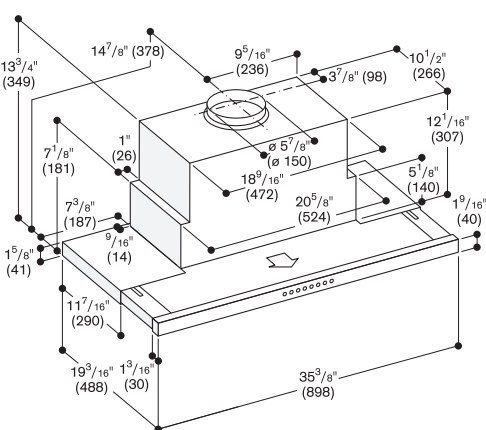
1. Measurement drawings for 24" and 36" AF 210 visor hood (Diag. A)
2. Check necessary dimensions of the upper cabinet (Diag. B)
 - Depth: minimum 12 5/8" (with lowering frame: minimum 13 3/4")
 - Height: air extraction minimum 16 9/16" air recirculation 23 5/8"
3. Remove old installation kit
4. Assemble the AF 210 as described in the installation manual (Diag. B)
5. Spice rack installation is optional (Diag. C)
 - Spice rack only possible from the height of 12 5/8" (Diag. C)

Diag. A

24" Visor hood



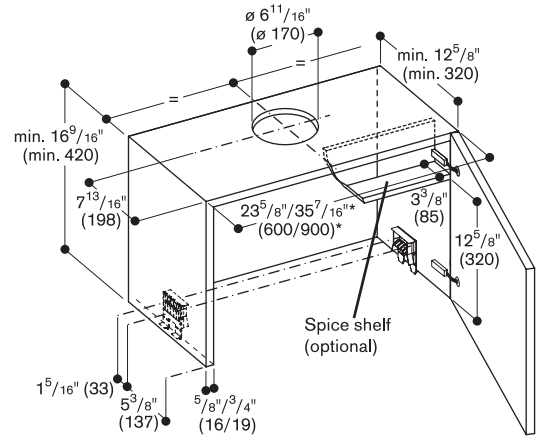
36" Visor hood



Diag. B

Upper cabinet for AF 210

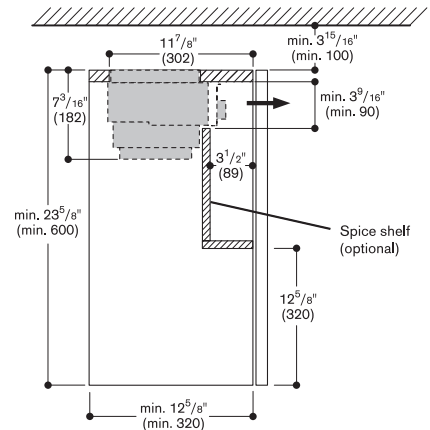
*for upper cabinets measuring 36", the AA 210 491 mounting kit is also required.



* for a 35 7/16" (90 cm) top cabinet the installation set AA 210 491 is also required

Diag. C

Cross section of upper cabinet with AA 211 812 recirculation kit.



The 200 series ventilation

The 200 series offers versatile ventilation options, including wall-mounted or island hoods, downdraft appliances in the cooktop surface and visor hoods. From the minimalist downdraft and visor hood to the imposing pieces such as the AI 230/AW 230 island and wall-mounted hoods, their quiet power impresses. They provide high-powered illumination or mood-lighting, recirculating or air extraction options, and reduce odors by as much as 95%. Maintenance is a simple matter of putting the easy-to-remove rim extraction or stainless steel grease filters in the dishwasher.



The difference is Gaggenau.