



Controls on top

Right-hinged

BMP 250 710

Full glass door in Gaggenau Metallic
Width 24" (60 cm)

Left-hinged

BMP 251 710

Full glass door in Gaggenau Metallic
Width 24" (60 cm)

Included accessories

- 1 combination wire rack
- 1 glass tray

200 series Combi-microwave oven

BMP 250/BMP 251

- Flush installation
- Single operation and combination of microwave, grill and oven
- Sequential operation of up to five modes including programming of combined operation and rest time
- TFT touch display
- Electronic temperature control
- Net volume 1.3 cu.ft.

Cooking modes and programs

Microwave operation with 5 output levels: 1000, 600, 360, 180, 90 W.

Oven operation with 4 heating methods:

- Convection at 100° F and from 210° F – 480° F.
- Broil + convection from 210° F – 480° F.
- Broil + circulated air from 210° F – 480° F.
- Broil with 3 levels of intensity, maximum output 2000 W.

Heating modes with microwave output levels 600, 360, 180 and 90 W freely combinable.

15 automatic programs with weight indication, fully customizable:

- 4 defrosting programs.
- 4 cooking programs.
- 7 combination programs.

Option to save individual recipes.

Operation

Rotary knob and TFT touch display operation.

Clear text display in 25 languages.

Information key with use indicators.

Side-opening door opens up to 110° angle.

Features

Innowave.

Fast pre-heating.

4 rack levels.

Actual temperature display.

60 W halogen light on the side.

Safety

Thermally insulated door with triple glazing.

Triple door lock.

Child lock.

Safety shut-off.

Cooled housing with temperature protection.

Cleaning

Hygienic stainless steel interior with glass ceramic base.

Interior back wall with catalytic coating.

Planning notes

Door hinge not reversible.

Plan the cut-out without back wall.

Necessary lateral gap between appliance door and cabinet panel of min. 3/16".

The door panel surface of the appliance extends 13/16" from the cabinet front.

The outer edge of the door handle extends 2 13/16" from the cabinet front.

Consider the overhang, including the door handle, when planning to open drawers next to the appliance.

When planning a corner solution, pay attention to the 110° door opening angle.

The electrical outlet needs to be planned outside of the cut-out. The appliance may not be installed below 36" (916mm) in Canada.

Please read additional planning notes on pages 62 – 63.

Rating

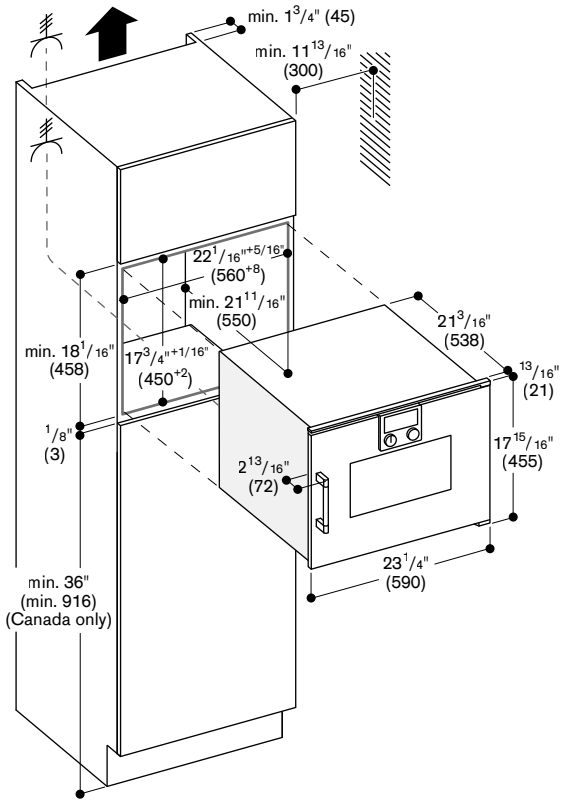
Total rating: 3.1 kW.

Total Amps: 2x 20 A.

120 V / 60 Hz

Plan for a 42" connection cable without a plug (hardwire required).





Side view BSP Combi-steam oven, BMP Combi-microwave oven over BOP single oven

