



AR 410 710

Metal housing
 Max. air output 362 CFM
 Air recirculation
 Works with AL 400 retractable
 downdraft and VL414/VL200
 downdraft

Installation accessories

AA 410 112
 2 regenerable activated charcoal filter
 For air recirculation.

400 and 200 series recirculation blower

AR 410

- Powerful recirculation blower to combine with 400/200 series Vario downdraft and 400 series AL 400 retractable downdraft ventilation
- Efficient BLDC technology
- Particularly quiet due to patented noise insulation
- Compact, space-saving installation

Output

Performance output level 3/Intensive.
 Sound power and sound pressure
 depending on built-in situation.
 Air recirculation: 362 CFM.

Features

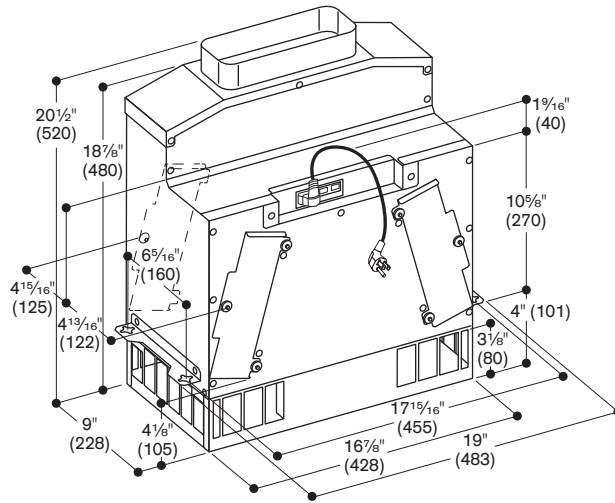
3 electronically controlled power levels and 1 intensive mode.
 Fan technology with highly efficient, brushless DC motor (BLDC).
 Including sound insulation to minimize the noise level.
 Steel housing, zinc-plated.
 Pipe connection piece on intake side:
 1 x DN 150 flat duct.
 Retaining bracket for installation at the cabinet base enclosed.
 2 regenerable activated charcoal filters enclosed.
 Extended change interval of the activated charcoal filter: regenerable up to 30 times.
 Regenerable in the oven at 400 F.

Planning notes

Powerful recirculation blower to combine with VL 414/VL 200 Vario downdraft ventilation and AL400722 retractable downdraft ventilation.
 Connection to VL 414/VL 200/AL400722 downdraft via network cable.
 Installation in a base cabinet possible with a cut-out in the cabinet base or behind the cabinet positioned on the floor. To replace the filter the blower must be accessible.
 The filter exchange is possible from the front and rear of the blower.

Rating

Total rating: 170 W.
 Total Amps: 2 A.
 Connecting cable 68 7/8" with plug.
 78" network cable included.



Measurements in inches (mm)

Filter exchange

