



AF210161
Flat kitchen hood 200 series
Stainless steel handle bar
Width 60 cm
Air extraction / Air recirculation



Unobtrusive flat kitchen hood design thanks to integrated glass panel in the steam screen
 Especially quiet operation thanks to integrated sound insulation
 Steam screen extends by touching the handle bar
 Especially high air output
 Energy-saving, low-noise fan
 Function for automatic, sensor-controlled power adjustment depending on the build-up of cooking vapours
 Dimmable, neutral white LED light for ideal illumination of the whole cooktop
 The patented lowering frame allows the flat kitchen hood to disappear completely into the upper cabinet
 Air extraction or air recirculation system
 Air recirculation module with activated charcoal filter: quiet and highly efficient air recirculation solution with odour reduction as in air extraction mode and long replacement intervals

Output

Performance and noise level, output level 3/Intensive:
 Air output according to EN 61591.
 Sound power level according to EN 60704-3.
 Sound pressure level according to EN 60704-2-13.
 Odour reduction for air recirculation in accordance with EN 61591.
 Odour reduction air recirculation 91%.

Features

Controls at front.
 3 electronically controlled power levels and 1 intensive mode.
 Automatic function with sensor-controlled run-on function.
 Grease filter saturation indicator.
 Stainless steel grease filter, dishwasher-safe.
 Neutral white LED light (3500 K), continuously dimmable.
 Lamp output 2 x LED 3W.
 Illuminance 669 lx.
 Light can be switched on separately.
 Fan technology with highly efficient, brushless DC motor (BLDC).
 Integrated sound insulation for quiet operation.
 The fan is activated when the steam screen is extended.
 Patented technology for extension of the steam screen.
 Extendable steam screen 198 mm.
 Airflow-optimised interior for efficient air circulation and ease of cleaning.
 Patented easy mounting system for simple installation.
 The package includes an one-way flap.

Consumption data

Energy consumption 41.8 kWh/year.
 Ventilation efficiency class A.
 Illumination efficiency class A.
 Grease filter efficiency class B.
 Sound level min. 41 dB / max. 57 dB normal mode.

Planning notes

Characteristics

Product name/family
Color chimney
Typology
 Pull-out
Approval certificates
 Australia Standards, CE, Eurasian, G-Mark, Ukraine, VDE
Length electrical supply cord (cm)
 175
Required niche size for installation (HxWxD)
 349mm x 524.0mm x 290mm
Height of the chimney (mm)
Height of product, without chimney (mm)
Net weight (kg)
 14.616
Type of control
 Electronic
Number of speed settings
Maximum output air extraction (m3/h)
 514
Boost position output recirculating (m3/h)
 884.0
Maximum output recirculating air (m3/h)
 496
Boost position air extraction (m³/h)
 953
Number of lights
 2
Noise level (dB)
 57
Diameter of air outlet (mm)
 120 / 150
Grease filter material
 Washable stainless steel
Odour filter
 No
Operating Mode
 Convertible
Delay Shut off modes
Required accessories
Optional accessories
 AA210110, AA211812
Type of lamps used
 LED
Total power of the lamps (W)
 6
Grease filter type
 Kasette
Clean filter reminders
Connection Rating (W)
 266
Current (A)
 10
Voltage (V)
 220-240
Frequency (Hz)
 50; 60
Plug type
 CH plug w/ earthing, Gardy plug w/ earthing, GB plug
Installation typology
 Built-in
Universal Product Code
Material body
 Stainless steel
Approval certificates
 Australia Standards, CE, Eurasian, G-Mark, Ukraine, VDE
Length of electrical supply cord (in)
Plug type
 CH plug w/ earthing, Gardy plug w/ earthing, GB plug
Dimensions of the product, with chimney (if exists) (in)
 / x x
Dimensions of the packed product (in)
 15.74 x 25.19 x 18.89
Height of the chimney (in)
Vertical rise height
Required distance above cooktop/ranges
Net weight (lbs)
 32.000
Gross weight (lbs)
 34.000
Motor location
 Integrated motor in hood body

Patented air recirculation module with activated charcoal filter can be installed in the upper cabinet. The activated carbon filter can be changed from the front by simply pulling out the activated charcoal filter.

The door of the upper cabinet must be fully open in order to change the activated charcoal filter.

To be installed in an upper cabinet without base.

The required cavity depth of the upper cabinet together with the lowering frame measures 335 mm.

The required cavity height of the upper cabinet together with the lowering frame measures 600 mm.

Clearance above gas appliances min. 65 cm (more than total load gas 12 kW min. 70 cm).

Clearance above electric appliances min. 43 cm.

When installing a ventilation hood with air extraction mode and a chimney-vented fireplace, the power supply line of the ventilation appliance needs a suitable safety switch.

Connection

Total connected load 266 W.

Connecting cable 1.8 m, pluggable.

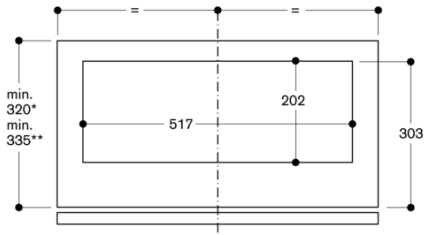
Color Variants

AF210161
Stainless steel handle bar
Width 60 cm

GAGGENAU

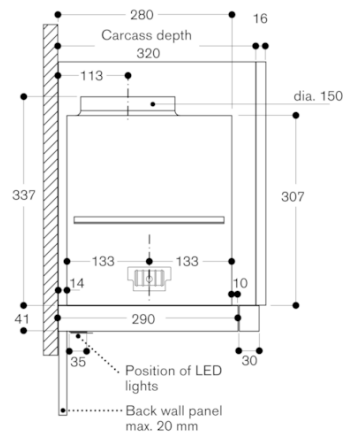
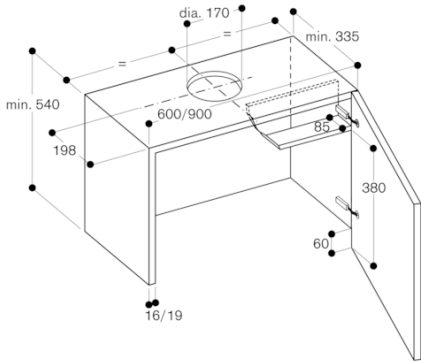
AF210161
 Flat kitchen hood 200 series
 Stainless steel handle bar
 Width 60 cm
 Air extraction / Air recirculation
 2021-05-31
 Page 2

View of upper cabinet from above with AA 211 812

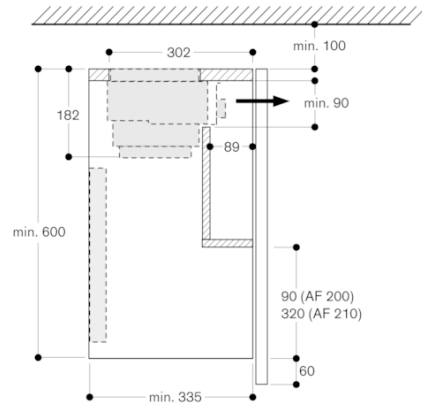


* Appliance only
 ** Appliance with AA 210 490/460 lowering frame

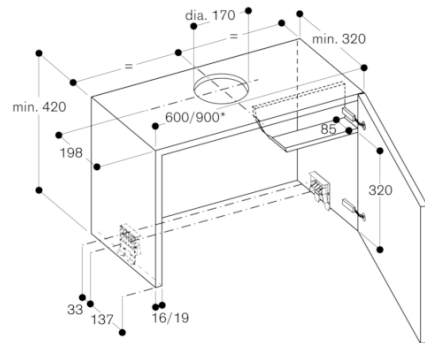
Upper cabinet for AF 210 with AA 210 460/AA 210 490 lowering frame



Cross-section of upper cabinet with AA 211 812 and AA 210 490/460 lowering frame

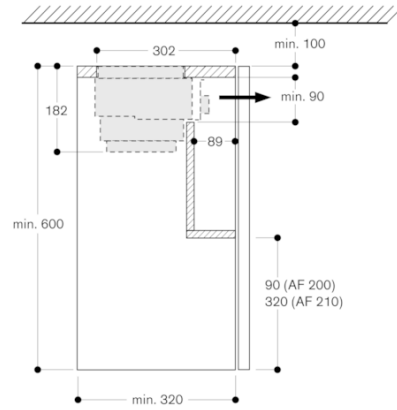


Upper cabinet for AF 210



* for upper cabinets measuring 90 cm, the AA 210 491 installation set is required in addition

Cross-section of upper cabinet with AA 211 812



AF210161
Flat kitchen hood 200 series
Stainless steel handle bar
Width 60 cm
Air extraction / Air recirculation
2021-05-31
Page 3

