



<b>AL400121</b>
<b>Table ventilation 400 series</b>
<b>stainless steel</b>
<b>Width 120 cm</b>
<b>Air extraction / Air recirculation</b>
<b>Motorless</b>



Extendable table ventilation, when not in use can be completely lowered into the worktop

Can be combined perfectly with other Vario appliances of the 400 series  
Dimmable, neutral white surface LED light for ideal illumination of the whole cooktop

Precision crafting of 3 mm stainless steel

For surface mounting with a visible edge or for flush mounting  
Motorless, can be combined with Gaggenau BLDC remote fan units

#### Output

Power levels depend on the remote fan unit, see table on page XX.

#### Features

3 electronically controlled power levels and 1 intensive mode.

Interval ventilation, 6 min.

Run-on function, 6 min.

Grease filter saturation indicator.

Cartridge-type filter, dishwasher-safe.

Neutral white surface LED light (3600 K), continuously dimmable.

Lamp output 4 x LED 6medium power 5W stripe.

Illuminance 191 lx.

Spare covers for closing air outlets.

No connecting piece included.

#### Consumption data

Consumption data is referred to a configuration with the remote fan unit AR 400 142.

Energy consumption 42.6 kWh/year.

Ventilation efficiency class A.

Illumination efficiency class E.

Grease filter efficiency class C.

Sound level min. 44 dB / max. 59 dB normal mode.

#### Planning notes

Refer to the table on page XX for the matching remote fan units for air recirculation or air extraction mode.

Secure the control unit to the side panel of the cabinet, not to the base of the cabinet or the kitchen floor.

Connection to the respective appliances via network cable.

Operation of Vario cooking appliances only possible without appliance cover. Max. output of cooktops 18 kW.

Installation is possible in worktops made of stone, synthetics or solid wood. Heat resistance and watertight sealing of the cut edges must be observed. Concerning other materials please consult the worktop manufacturer.

The remaining surface of the worktop (min. 50 mm) between the cut-outs must be reinforced with a support. It is recommended to use furniture support AA 409 401/431.

Ovens that do not exceed the maximum allowed cabinet temperature can be combined with the table ventilation if built-in situation permits.

To avoid smoke when frying/grilling refer to the manuals of VR/VP.

When installing a ventilation hood with air extraction mode and a chimney-vented fireplace, the power supply line of the ventilation appliance needs a suitable safety switch.

#### Connection

<b>Characteristics</b>
<b>Product name/family</b>
<b>Color chimney</b>
<b>Typology</b> Downdraft
<b>Approval certificates</b> Australia Standards, CE, Eurasian, G-Mark, VDE
<b>Length electrical supply cord</b> 170
<b>Required niche size for installation (HxWxD)</b> 540mm x 1140.0mm x 122mm
<b>Height of the chimney</b>
<b>Height of product, without chimney</b> 540
<b>Net weight</b> 40.5
<b>Type of control</b> Electronic
<b>Number of speed settings</b>
<b>Maximum output air extraction</b> 620
<b>Boost position output recirculating</b>
<b>Maximum output recirculating air</b> 580
<b>Boost position air extraction</b>
<b>Number of lights</b> 4
<b>Noise level</b> 59
<b>Diameter of air outlet</b>
<b>Grease filter material</b> Washable stainless steel
<b>Odour filter</b> No
<b>Operating Mode</b> Convertible
<b>Delay Shut off modes</b> 6
<b>Required accessories</b>
<b>Optional accessories</b> AA400510
<b>Type of lamps used</b> LED
<b>Total power of the lamps</b> 20
<b>Grease filter type</b> Kassette
<b>Clean filter reminders</b>
<b>Connection Rating</b> 65
<b>Fuse protection</b> 10
<b>Voltage</b> 230
<b>Frequency</b> 60; 50
<b>Plug type</b> CH plug w/ earthing, Gardy plug w/ earthing, GB plug
<b>Installation typology</b> Built-in
<b>Universal Product Code</b> 825225913689
<b>Material body</b> Stainless steel
<b>Approval certificates</b> Australia Standards, CE, Eurasian, G-Mark, VDE
<b>Length of electrical supply cord (in)</b>
<b>Plug type</b> CH plug w/ earthing, Gardy plug w/ earthing, GB plug
<b>Dimensions of the product, with chimney (if exists) (in)</b> / x x
<b>Dimensions of the packed product</b> 14.96 x 25.19 x 51.18
<b>Height of the chimney (in)</b>
<b>Vertical rise height</b>
<b>Required distance above cooktop/ ranges</b>
<b>Net weight</b> 89.000
<b>Gross weight</b> 104.000
<b>Motor location</b> External motor
<b>Maximum output recirculating air</b>
<b>Diameter of air duct (in) top</b>
<b>Diameter of air duct (in) back</b>

Total connected load 65 W.  
Network cable 1.2 m.

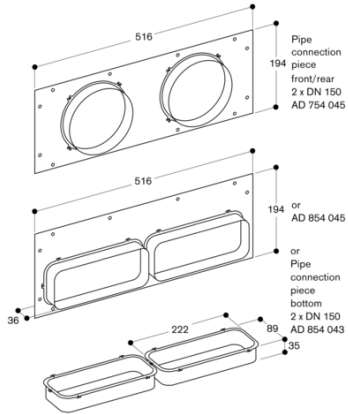
#### Color Variants

AL400121  
stainless steel  
Width 120 cm

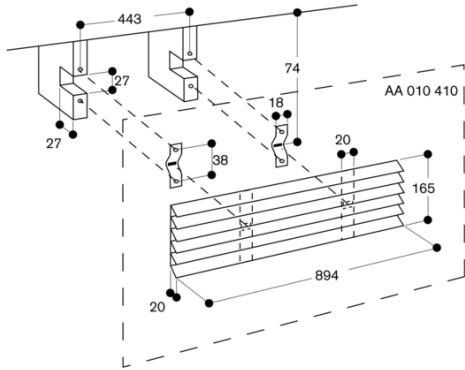
# GAGGENAU

AL400121  
 Table ventilation 400 series  
 stainless steel  
 Width 120 cm  
 Air extraction / Air recirculation  
 Motorless  
 2022-02-17  
 Page 2

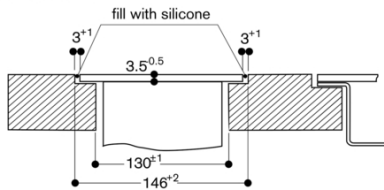
AD 754/854 045 and AD 854 043



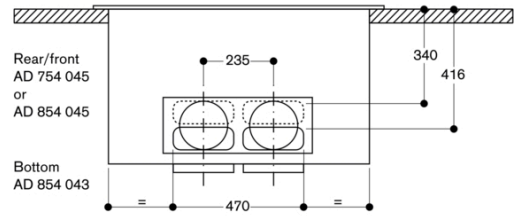
AA 010 410 air exhaust grille



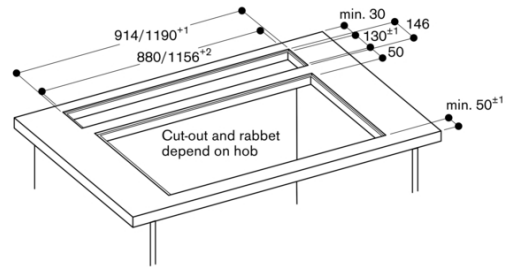
Cross-section



AL 400 connection positions DN 150



AL 400 installed flush



AL 400 cut-out flush-mounted

