



CX480111

GN232110:
Teppan Yaki GN 1/1

GN232230:
Teppan Yaki GN 2/3

VA420000:
Connecting strip Serie 400, flush, short

VA420001:
Connecting strip Serie 400, flush, long

VA420010:
Connecting strip Serie 400, top, short

VA420011:
Connecting strip Serie 400, top, long

VA450800:
Adjustment strip 80 cm Serie 400

Full surface induction cooktop 400 series 80 cm CX480111

One single big cooking surface
Free positioning of cookware
All sizes and formats of cookware can be used
TFT touch display for an intuitive control of all functions
Max. power output for big cookware of up to 4.6 KW
Precision crafting of 3 mm stainless steel
For surface mounting with a visible edge or for flush mounting
Can be combined perfectly with other Vario appliances of the 400 series

Cooking zones

One unique cooking surface of 2800 cm².
Up to 4 items of cookware can be placed simultaneously on the cooktop.

Handling

Easy to use colour graphic TFT touch display with use indications.
Electronic power control in 17 output levels.

Features

Booster function.
Individual pot detection.
Cooking timer for each cooking position.
Timer.
Information key with use indicators.
Power management.

Safety

Main switch.
Residual heat indicator.
Child lock.
Display cleaning protection.

Planning notes

Depending on the type of installation (surface-mounted or flush-mounted), the specific definition of the cut-out must be observed.
If installing with the appliance cover VA 440 or filler strip VA 450 take into account the additional space required for the depth.
If combining several appliances with at least one appliance cover, the filler strip VA 450 is required to compensate for the depth of the appliance without the appliance cover.
If combining several Vario appliances of the 400 series, a connection strip VA 420 must be placed between the appliances. Depending on the type of installation, the corresponding connection strip must be provided.
In the cut-out, the installation system requires the side edge to be at least 10 mm for surface mounting and at least 13 mm for flush mounting. Ensure a continuous cut surface of 90°.
The bearing capacity and stability, in the case of thin worktops in particular, must be supported using suitable substructures. Take into account the appliance weight and additional loads.
Additional instructions for flush mounting:
Installation is possible in worktops made of stone, synthetics or solid wood. Heat resistance and watertight sealing of the cut edges must be observed. Concerning other materials please consult the worktop manufacturer.

The groove must be continuous and even, so that uniform placing of the appliance on the gasket is ensured. Do not use discontinuous lining.

The joint width may vary due to size tolerances of the combinations and of the worktop cut-out. If installing several appliances in individual cut-outs allow for a division bar of minimum 50 mm between the individual cut-outs.

Operates with magnetic (induction) iron pots and pans only. For an optimal heat distribution, the use of sandwich bottom cookware is recommended.

The wok pan WP 400 001 cannot be used with this appliance.

Appliance can be snapped into the worktop from above.

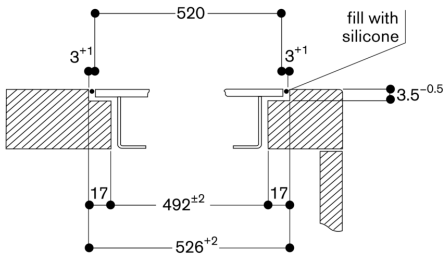
Appliance weight: approx. 28.

Connection

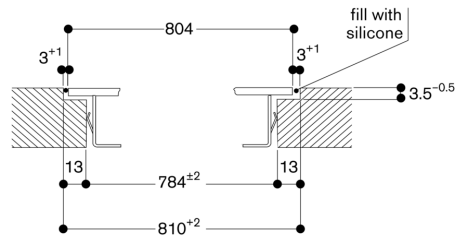
Total connected load 7.2 KW.

Connecting cable 1.5 m without plug.

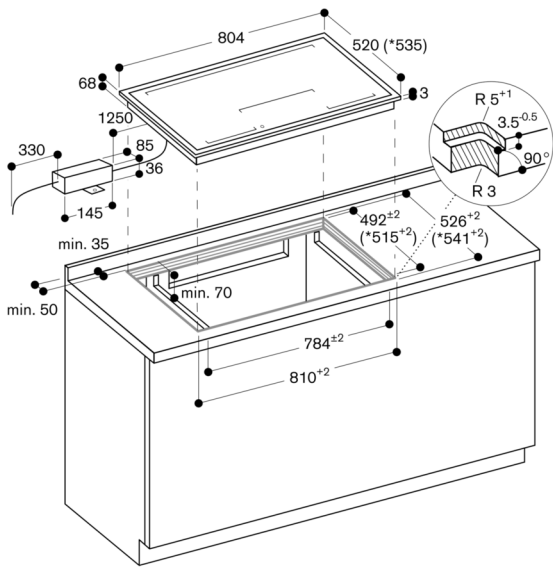
Cross-section



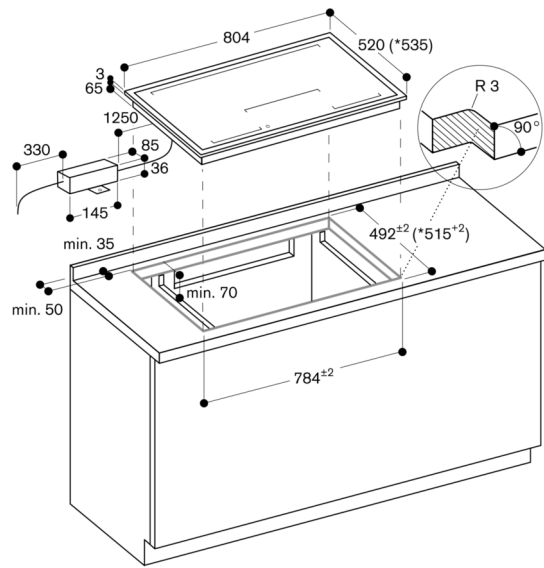
Longitudinal section



When installing with appliance cover or filler strip, pay attention to the deeper cut-out and the front and rear groove width.

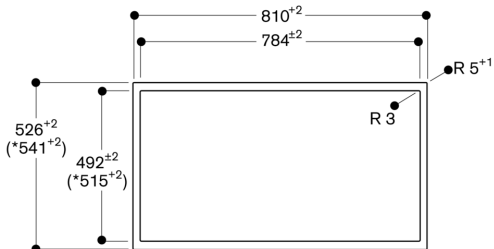


* with filler strip.
See separate planning notes.



* with filler strip.
See separate planning notes.

View from above



* with filler strip.