



RB472301

RA030100:

Storage container with lid

RA421712:

SS door 76,2cm / 30" for RB 472

RA425110:

Vario SS handle 1131 mm

RA425710:

Vario SS handle BM30"

RA460000:

Installation kit SxS

RA460011:

Heating side kit 230V

RA461715:

Toe Kick 76,2cm/30"

**Vario built-in fridge-freezer with freezer at bottom
400 series**

212.5 x 75.6 cm, flat hinge

RB472301

Stainless steel interior
Generous lighting concept
Solid aluminium door racks
Net volume 438 litres
Integrated ice maker with fixed inlet water connection
One motorised glass shelf, adjustable when fully loaded
Fully extendable freezer drawer with practical divider

Handling

Electronic temperature control with digital display.

Technical Features

Dynamic cold air distribution.
Automatic defrosting with defrost water evaporation.
Open-door and malfunction alarm.

Cooling

No-Frost technology with fast cooling.
Temperature adjustable from +2 °C to +8 °C.
3 safety glass shelves, 1 of which is motorised.
1 fully extendable drawer with transparent front.
Bright interior lighting with light pillars.
2 height-adjustable door racks, 1 of which is extra deep.
1 door rack with transparent front flap.

Fresh cooling

No-frost technology.
1 full width fully extendable fresh cooling drawer with transparent front, manually controllable.

Freezing

Net volume 119 litres.
No-frost technology with fast freezing.
4-star freezer compartment.
Freezing capacity 14 kg/24 h.
Storage time after a malfunction 17 h.
2 fully extendable drawers.
Interior lighting with 1 spot.

Ice maker

Integrated in the freezer compartment, with fixed water connection (inlet).
Can be switched off.
Ice cube production: approx. 1.7 kg/24 h.
Removable ice storage container with approx. 3 kg capacity.

Consumption data

Energy consumption 292 kWh/year.
Noise level 42 dB (re 1 pW).

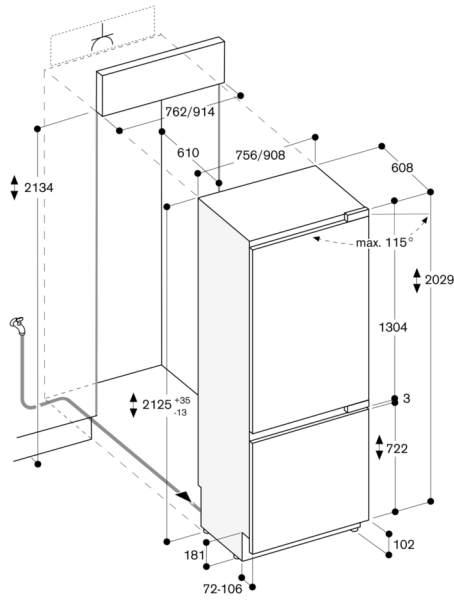
Planning notes

Flat hinge.
Door hinge right, reversible.
Door opening angle of 115°, fixable at 90°.
Max. door panel weight:
Door 35 kg. Drawer 10 kg.
Shut-off valve for water connection must be planned next to the appliance and always be accessible.

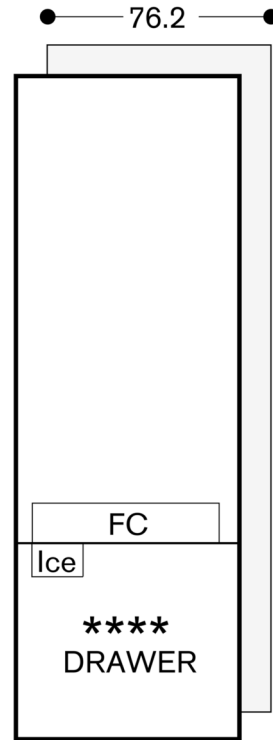
If the water pressure exceeds 0.8 MPa (8 bar), connect pressure relief valve between water tap and hose set.

Connection

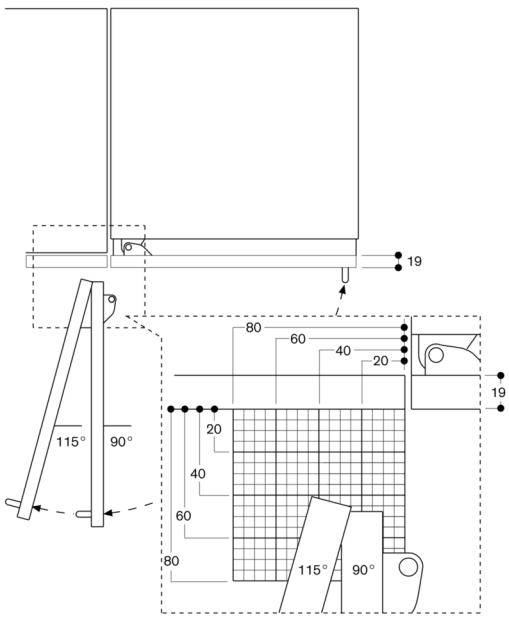
Total connected load: 0.525 KW.
Connecting cable 3.0 m, detachable.
Water inlet.
Supply hose 3.0 m with 3/4 " connection.
Water pressure 2 to 8 bar.



The maximum door panel dimensions are based on a clearance of 3 mm.

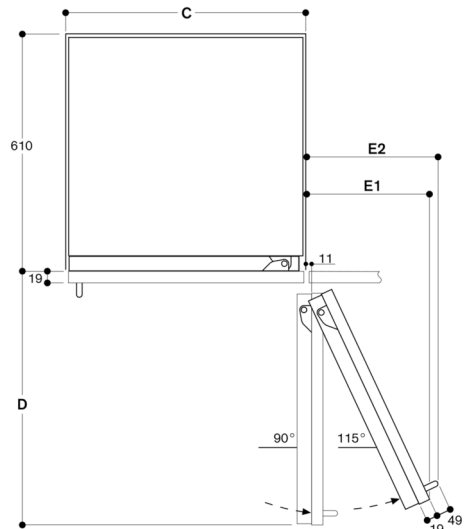


Door opening angle



The hinge travel and resulting clearances from adjacent furniture units and handles can be found from the drawing while allowing for the thickness of the front panel. In the drawing, a furniture unit front panel thickness of 19 mm was assumed.

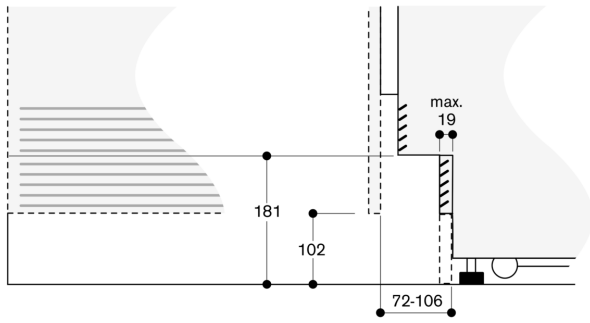
Wall clearance RB 472/RC/RF/RW



Recess width C	D	E1	E2
457 mm	525 mm	235 mm	265 mm
610 mm	677 mm	299 mm	330 mm
762 mm	830 mm	363 mm	395 mm

In the drawing, a unit front thickness of 19 mm and a Gaggenau unit handle of 49 mm were taken as a basis.

Base detail



Based on the standard height of the appliance, the height of the plinth is 102 mm. Maximum thickness of the plinth is 19 mm.