



#### Color Variants

RB472304

With fresh cooling close to 0 °C

Fully integrated

#### Included accessories

1 x egg box with lid.

1 x ice cube scoop.

RB472304

Vario fridge-freezer combination 400 series

With fresh cooling close to 0 °C

Fully integrated

Niche width 76.2 cm, Niche height 213.4 cm

Cooling section with one door and one fully extendable freezing drawer

Stainless steel interior with solid anthracite aluminium elements  
Warm white and glare-free LED light spots

Opening assist for door with two options:

1. Push-to-open function for integration into handleless furniture front
  2. Pull-to-open function to facilitate opening the door using a handle
- Flat stainless steel inner door, full-length

Almost invisible rail system for shelves and door racks for flexible positioning  
Solid anthracite aluminium door racks  
1 fresh cooling drawer close to 0 °C with manually adjustable temperature and one fresh cooling drawer with manually adjustable humidity  
Integrated ice maker with fixed inlet water connection  
Fully extendable freezer drawer with practical divider in anthracite  
TFT touch display  
Net volume 418 litres

#### Handling

TFT touch display operation.  
Clear text display.

#### Technical Features

Dynamic cold air distribution.  
Automatic defrosting with defrost water evaporation.  
Activated charcoal air filter.  
Rest mode certified by Star-K.  
When rest mode is active, the appliance can only be opened using a handle.  
Open-door and malfunction alarm.  
Home network integration for digital services (Home Connect) wireless via WiFi.  
The use of the Home Connect functionality depends on the Home Connect services, which are not available in every country. For further information please check: home-connect.com.

#### Cooling

No-Frost technology with fast cooling.  
Temperature adjustable from +2 °C to +8 °C.  
3 safety glass shelves, white glass, 2 of which are individually adjustable in height.  
4 brilliant LED light spots with warm white, glare-free light within cooling area and drawers.  
Flat door rail system with fully flexible positioning of door racks.  
3 height adjustable door racks, 1 of which is extra deep.  
Net volume 281 litres.

#### Fresh cooling close to 0 °C

1 fully extendable fresh cooling drawer close to 0 °C with transparent front, illuminated.  
Temperature can be adjusted manually.  
Ideal for meat, fish and poultry.  
Net volume 27 litres.

#### Fresh cooling

1 fully extendable fresh cooling drawer with transparent front, illuminated.  
Humidity can be adjusted manually.  
Ideal for fruit and vegetables.

#### Freezing

No-frost technology with fast freezing at -30 °C.

#### Characteristics

Built-in / Free-standing

Built-in

Number of compressors

2

Number of independent cooling systems

2

Width of the product (mm)

756

Height (mm)

2125

Depth of the product

608

Net weight (kg)

193.033

Required niche size for installation (HxWxD)

2134.0 x 762.0 x 610

Door panel options

Not possible

Door hinge

Right reversible

Number of Adjustable Shelves in fridge compartment

2

Shelves for Bottles

No

Frost free system

Fridge and freezer

Interior ventilator

Yes

Reversible Door Hinge

Yes

Length electrical supply cord (cm)

300

Noise level (dB)

42

Multi-Flow Air Tower

Yes

Fast cooling switch

Yes

Fast freezing switch

No

Carbon Air Filter

No

Temperature Controlled Drawer

No

Humidity Control Drawer

Yes

Number of Door Bins - Refrigerator

3

Door bin adjustability - Refrigerator

No

Tilt-out door bins in fridge

No

Number of Gallon storage

1

No. of shelves in fridge

3

Number of shelves - Freezer

Shelf Adjustability - Freezer

No

Capacity of Water Tank [l]

Connection Rating (W)

300

Fuse protection (A)

10

Voltage (V)

220-240

Frequency (Hz)

50-60

Energy consumption (kWh)

Freezing capacity (kg)

Energy efficiency rating

Energy consumption annual (kWh/annum) - NEW (2010/30/EC)

301.00

Refrigerator Net capacity (l) - NEW (2010/30/EC)

308

Freezer Net capacity (l) - NEW (2010/30/EC)

110

Frost free system

Fridge and freezer

Freezing capacity (kg/24h) - NEW (2010/30/EC)

14

Storage Period in Event of Power Failure (h)

17

Approval certificates

Temperature adjustable from -14 °C to -24 °C.

4-star freezer compartment.

Freezing capacity 14 kg/24 h.

Storage time after a malfunction 17 h.

2 fully extendable inside drawers.

Interior lighting with 2 LED light spots, warm white light.

Net volume 110 litres.

#### Ice maker

Integrated in the freezer compartment, with fixed inlet water connection.

Particle filter for water inlet, integrated in ventilation grille area.

Can be switched off.

Ice cube production approx. 1.7 kg/24 h.

Removable ice storage container with approx. 3 kg capacity.

#### Consumption data

Energy efficiency class A++ at a range of energy efficiency classes from A++ to D.

Energy consumption 301 kWh/year.

Noise level 42 dB (re 1 pW).

#### Planning notes

Flat hinge.

Door hinge right, reversible.

Door opening angle of 115°, fixable at 90°.

Max. door panel weight:

Door 41 kg.

Drawer 10 kg.

Shut-off valve for water connection must be planned next to the appliance and always be accessible.

If the water pressure exceeds 0.8 MPa (8 bar), connect pressure relief valve between water tap and hose set.

#### Connection

Total connected load 0.300 KW.

Connecting cable 3.0 m, detachable.

Water inlet.

Supply hose 2.0 m with 3/4" connection.

Water pressure 2 to 8 bar.

# GAGGENAU

RB472304

Vario fridge-freezer combination 400 series

With fresh cooling close to 0 °C

Fully integrated

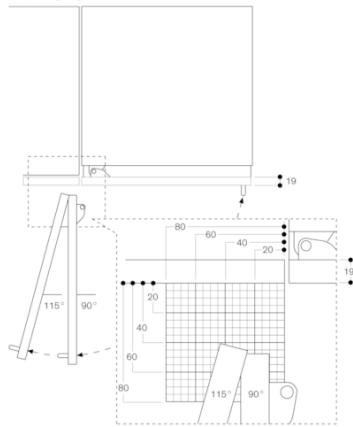
Niche width 76.2 cm, Niche height 213.4 cm

Cooling section with one door and one fully extendable freezing drawer

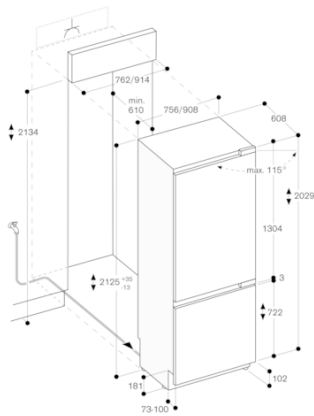
2021-08-26

Page 2

Door opening angle

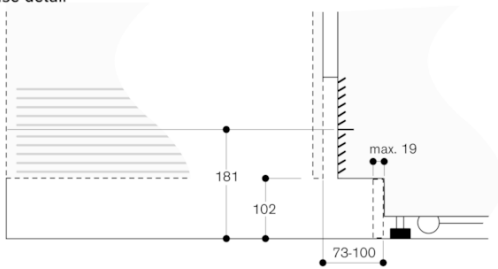


The hinge travel and resulting clearances from adjacent furniture units and handles can be found from the drawing while allowing for the thickness of the front panel. In the drawing, a furniture unit front panel thickness of 19 mm was assumed.



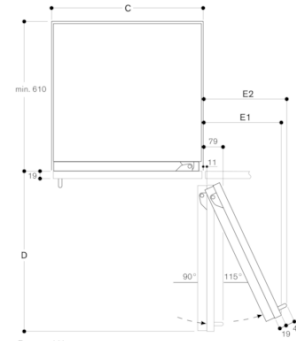
The maximum door panel dimensions are based on a clearance of 3 mm.

Base detail



Based on the standard appliance height, the height of the plinth is 102 mm. Maximum plinth thickness 19 mm.

Wall clearance RB 472/RC/RF/RW



Recess width	C	D	E1	E2
457 mm	525 mm	235 mm	265 mm	
610 mm	677 mm	299 mm	330 mm	
762 mm	830 mm	364 mm	395 mm	
914 mm	983 mm	428 mm	460 mm	

In the drawing, a unit front thickness of 19 mm and a Gaggenau unit handle of 49 mm were taken as a basis.

