



---

RC462301

---

---

RA030100:  
Storage container with lid

---

---

RA421610:  
SS door 61cm / 24"

---

---

RA425110:  
Vario SS handle 1131 mm

---

---

RA460000:  
Installation kit SxS

---

---

RA460011:  
Heating side kit 230V

---

---

RA460020:  
Frontpanel connection long

---

---

RA460040:  
Finger protection extra long

---

---

RA461616:  
Toe kick 61cm/24"

---

---

**Vario built-in fridge with freezer section 400 series**

212.5 x 60.3 cm, flat hinge

RC462301

---

Stainless steel interior  
Generous lighting concept  
Solid aluminium door racks  
Net volume 369 litres  
Fresh cooling drawer, temperature control from 0 °C to 3 °C  
One motorised glass shelf, adjustable when fully loaded  
Energy efficiency class A++

**Handling**

Electronic temperature control with digital display.

**Technical Features**

Dynamic cold air distribution with Multi-Air-Flow.  
Automatic defrosting with defrost water evaporation.  
Open-door and malfunction alarm.

**Cooling**

Net volume 318 litres.  
No-Frost technology with fast cooling.  
Temperature adjustable from +2 °C to +8 °C.  
4 safety glass shelves, 1 of which is motorised, 2 manually adjustable.  
2 fully extendable drawers with transparent front, 1 of which deep and 1 shallow.  
Bright interior lighting with light pillars.  
3 height adjustable door racks, 1 of which is extra deep.  
1 door rack with transparent front flap.

**Fresh cooling close to 0 °C**

Net volume 51 litres.  
Separate automatic temperature control, with settings for fish, meat or vegetables.  
1 large, fully extendable drawer with transparent front and integrated lighting.

**Consumption data**

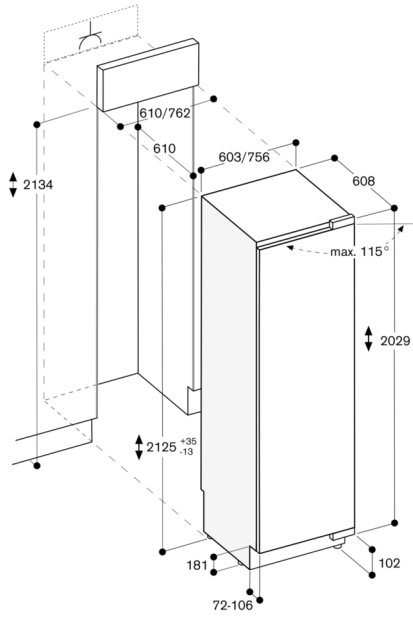
Energy consumption 133 kWh/year.  
Noise level 40 dB (re 1 pW).

**Planning notes**

Flat hinge.  
Door hinge right, reversible.  
Door opening angle of 115°, fixable at 90°.  
Max. door panel weight 35 kg.

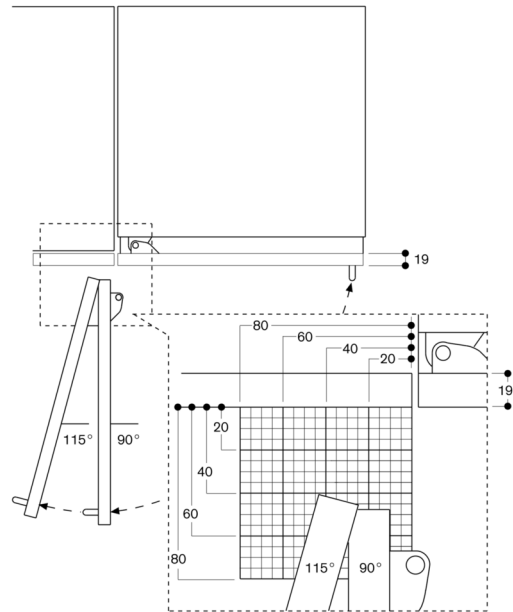
**Connection**

Total connected load: 0.266 KW.  
Connecting cable 3.0 m, detachable.

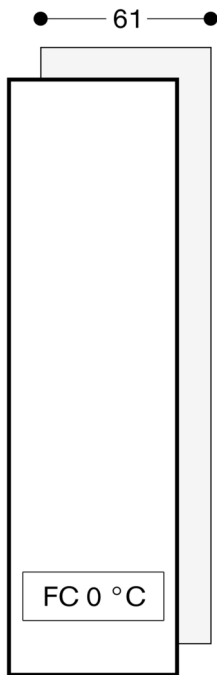


The maximum door panel dimensions are based on a clearance of 3 mm.

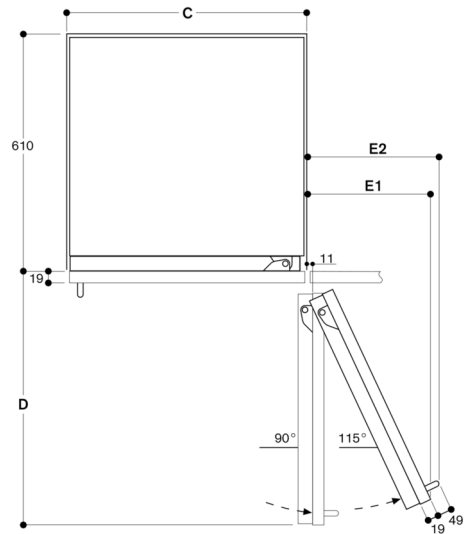
Door opening angle



The hinge travel and resulting clearances from adjacent furniture units and handles can be found from the drawing while allowing for the thickness of the front panel. In the drawing, a furniture unit front panel thickness of 19 mm was assumed.



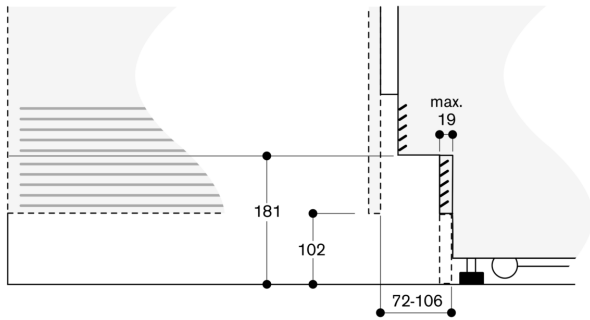
Wall clearance RB 472/RC/RF/RW



Recess width	D	E1	E2	
C	457 mm	525 mm	235 mm	265 mm
	610 mm	677 mm	299 mm	330 mm
	762 mm	830 mm	363 mm	395 mm

In the drawing, a unit front thickness of 19 mm and a Gaggenau unit handle of 49 mm were taken as a basis.

Base detail



Based on the standard height of the appliance, the height of the plinth is 102 mm. Maximum thickness of the plinth is 19 mm.