



RC472301

RA030100:  
Storage container with lid

RA421710:  
SS door 76,2cm / 30"

RA425110:  
Vario SS handle 1131 mm

RA460000:  
Installation kit SxS

RA460011:  
Heating side kit 230V

RA460020:  
Frontpanel connection long

RA460040:  
Finger protection extra long

RA461714:  
Toe kick 76,2cm/30"

## Vario built-in fridge with freezer section 400 series

212.5 x 75.6 cm, flat hinge

RC472301

Stainless steel interior  
Generous lighting concept  
Solid aluminium door racks  
Net volume 479 litres  
Fresh cooling drawer, temperature control from 0 °C to 3 °C  
One motorised glass shelf, adjustable when fully loaded  
Energy efficiency class A+

### Handling

Electronic temperature control with digital display.

### Technical Features

Dynamic cold air distribution with Multi-Air-Flow.  
Automatic defrosting with defrost water evaporation.  
Open-door and malfunction alarm.

### Cooling

Net volume 413 litres.  
No-Frost technology with fast cooling.  
Temperature adjustable from +2 °C to +8 °C.  
4 safety glass shelves, 1 of which is motorised, 2 manually adjustable.  
2 fully extendable drawers with transparent front, 1 of which deep and 1 shallow.  
Bright interior lighting with light pillars.  
3 height adjustable door racks, 1 of which is extra deep.  
1 door rack with transparent front flap.

### Fresh cooling close to 0 °C

Net volume 66 litres.  
Separate automatic temperature control, with settings for fish, meat or vegetables.  
1 large, fully extendable drawer with transparent front and integrated lighting.

### Consumption data

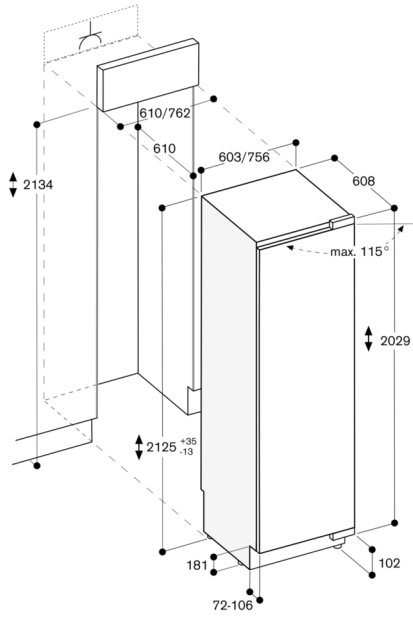
Energy consumption 182 kWh/year.  
Noise level 40 dB (re 1 pW).

### Planning notes

Flat hinge.  
Door hinge right, reversible.  
Door opening angle of 115°, fixable at 90°.  
Max. door panel weight 21 kg.

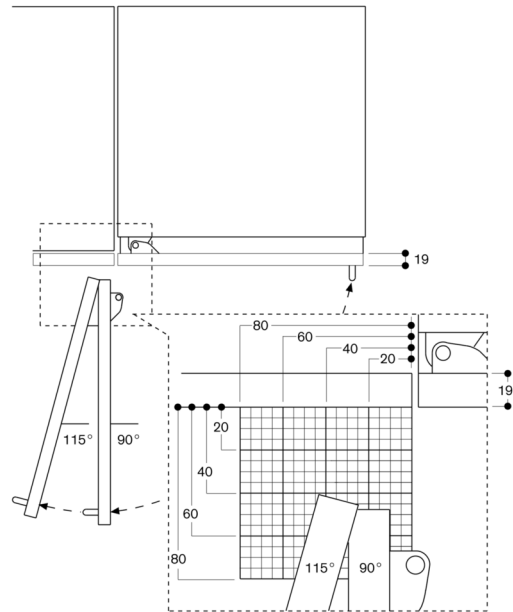
### Connection

Total connected load: 0.311 KW.  
Connecting cable 3.0 m, detachable.

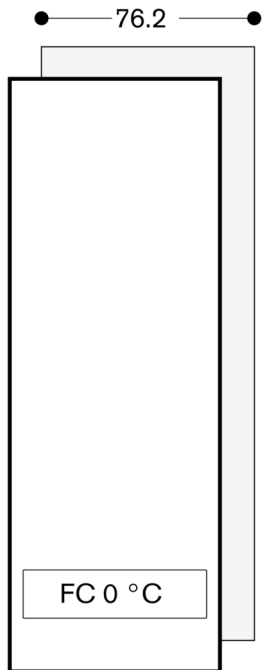


The maximum door panel dimensions are based on a clearance of 3 mm.

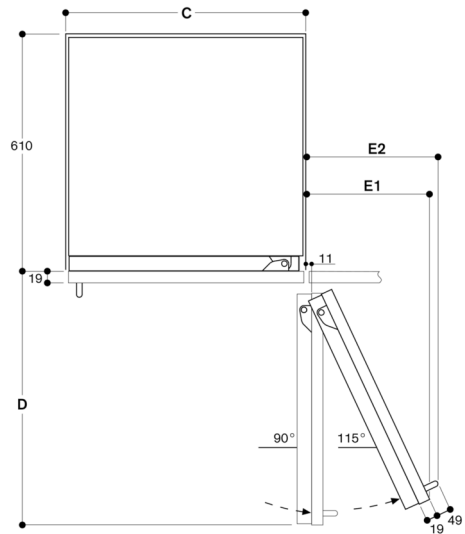
Door opening angle



The hinge travel and resulting clearances from adjacent furniture units and handles can be found from the drawing while allowing for the thickness of the front panel. In the drawing, a furniture unit front panel thickness of 19 mm was assumed.



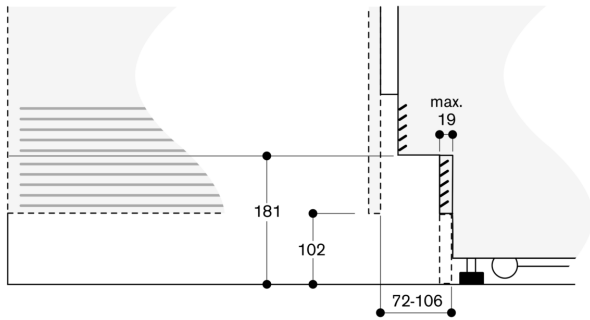
Wall clearance RB 472/RC/RF/RW



| Recess width | D      | E1     | E2     |        |
|--------------|--------|--------|--------|--------|
| C            | 457 mm | 525 mm | 235 mm | 265 mm |
|              | 610 mm | 677 mm | 299 mm | 330 mm |
|              | 762 mm | 830 mm | 363 mm | 395 mm |

In the drawing, a unit front thickness of 19 mm and a Gaggenau unit handle of 49 mm were taken as a basis.

Base detail



Based on the standard height of the appliance, the height of the plinth is 102 mm. Maximum thickness of the plinth is 19 mm.