



RW404261

RA050220:

Carbon airfilter

RA097600:

SbS Installation kit for RW404 and RW402

## Wine cooler with glass door 200 series

82 x 60 cm

RW404261

2 independently controllable climate zones  
Consistent temperatures with exact control from +5 °C to +20 °C  
Humidity control  
Extendable bottle trays in beech and aluminium  
LED lighting  
Cushioned door closing system allowing a soft and controlled door closure  
Lockable door  
Capacity 34 bottles  
Side-by-side installation possible with special accessory

### Handling

Electronic temperature control with digital display.  
Touch keys.  
Presentation light option in each climate zone, dimmable.  
Interior lighting with automatic dimming with opening and closing of door.

### Technical Features

Dynamic cold air distribution.  
Automatic defrosting with defrost water evaporation.  
Cushioned door closing system integrated in door hinge.  
1 activated charcoal air filter for both climate zones.  
UV-protection.  
Open-door and malfunction alarm.  
Dust filter, dishwasher-safe.

### Features

Capacity 34 bottles (based on 0.75 l standard bottles).  
5 bottle trays, 3 of which are extendable.  
Storage of magnum bottles possible.  
LED lighting.  
Net volume 94 litres.

### Consumption data

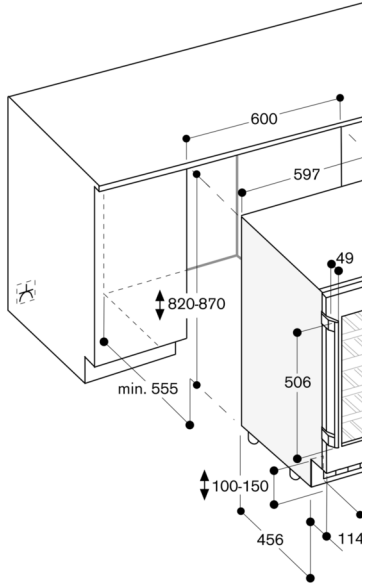
Energy efficiency class A at a range of energy efficiency classes from A+++ to G.  
Energy consumption 144 kWh/year.  
Noise level 38 dB (re 1 pW).

### Planning notes

Flat hinge.  
Door hinge right, reversible.  
Height-adjustable feet.  
For integration next to a side wall a clearance of 150 mm hinge side is necessary.  
The mains socket needs to be planned outside the built-in niche.  
No transport/operation above 1.500 m sea level.

### Connection

Connecting cable 2.0 m with plug.



**Bottle storage**

