



RW414361

RA093130:
Special display tray Alu (set of 3)

RA491131:
Extendable bottle tray RW 414

RA492130:
Extendable alu tray for RW414

RA420010:
Door lock for RW 414 and RW 464/466

RA421111:
SS doorframe 45,7cm / 18" left

RA421112:
SS doorframe 45,7cm / 18" right

RA425110:
Vario SS handle 1131 mm

RA460011:
Heating side kit 230V

RA460040:
Finger protection extra long

RA461116:
Toe kick 45,7cm/18"

Vario wine cooler with glass door 400 series
212.5 x 45.1 cm
RW414361

2 independently controllable climate zones
Consistent temperatures with exact control from
+5 °C to +20 °C
Humidity control
Stainless steel interior
Fully extendable bottle trays in beech and
aluminium
Presentation light option
Low-vibration operation
Capacity 70 bottles

Handling

Electronic temperature control with digital
display.

Technical Features

Dynamic cold air distribution.
Automatic defrosting with defrost water
evaporation.
Activated charcoal air filter.
UV-protection.
Rest mode certified by Star-K.
Open-door and malfunction alarm.

Features

Net volume 271 litres.
Capacity 70 bottles (based on 0.75 l standard
bottles).
10 fully extendable bottle trays, up to 4 of which
for storage of magnum bottles.
Space for max. 13 bottle trays or shelves in
aluminium.
Interior lighting with 2 ceiling spots in the upper
and 1 ceiling spot in the lower climate zone, can
be used as presentation light.

Consumption data

Energy efficiency class B at a range of energy
efficiency classes from A+++ to G.
Energy consumption 228 kWh/year.
Noise level 42 dB (re 1 pW).

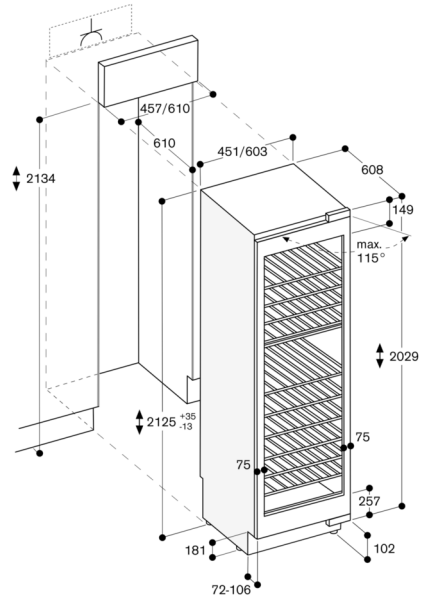
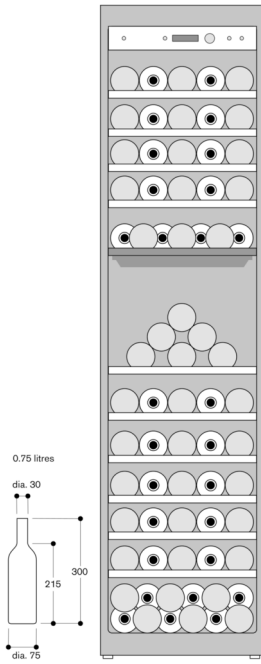
Planning notes

Flat hinge.
Door hinge right, reversible.
Door opening angle of 115°, fixable at 90°.
Max. door panel weight 72 kg.
The mains socket needs to be planned outside
the built-in niche.
No transport/operation above 1.500 m sea level.

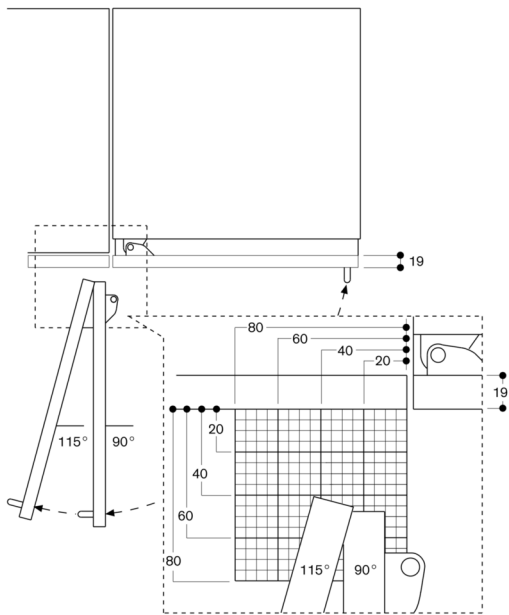
Connection

Total connected load: 0.121 KW.
Connecting cable 3.0 m, detachable.

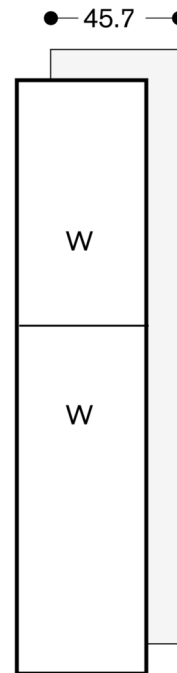
Bottle storage



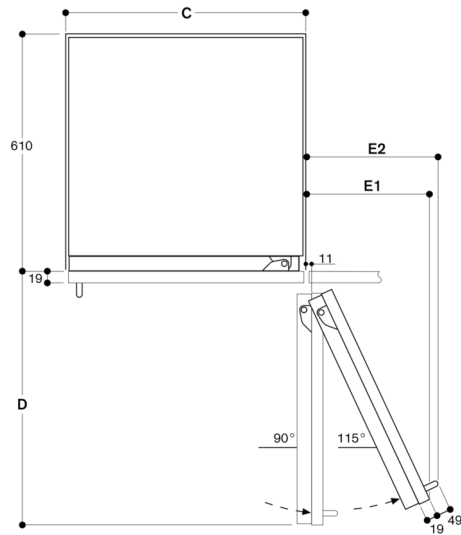
Door opening angle



The hinge travel and resulting clearances from adjacent furniture units and handles can be found from the drawing while allowing for the thickness of the front panel. In the drawing, a furniture unit front panel thickness of 19 mm was assumed.



Wall clearance RB 472/RC/RF/RW

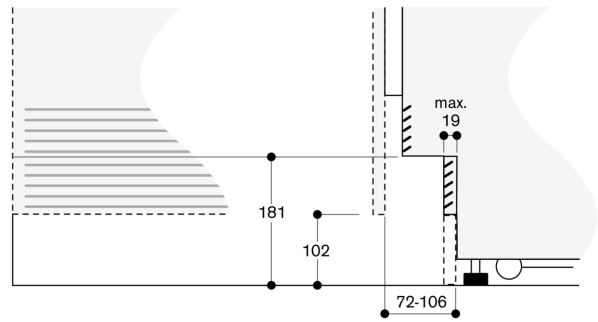


Recess width

C	D	E1	E2
457 mm	525 mm	235 mm	265 mm
610 mm	677 mm	299 mm	330 mm
762 mm	830 mm	363 mm	395 mm

In the drawing, a unit front thickness of 19 mm and a Gaggenau unit handle of 49 mm were taken as a basis.

Base detail



Based on the standard height of the appliance, the height of the plinth is 102 mm. Maximum thickness of the plinth is 19 mm.