



RW464361

RA093630:  
Special display tray Alu (set of 3)

RA491631:  
Extendable bottle tray RW 464

RA492630:  
Extendable alu tray for RW464

RA420010:  
Door lock for RW 414 and RW 464/466

RA421611:  
SS doorframe 61cm / 24" left

RA421612:  
SS doorframe 61cm / 24" right

RA425110:  
Vario SS handle 1131 mm

RA460011:  
Heating side kit 230V

RA460040:  
Finger protection extra long

RA461616:  
Toe kick 61cm/24"

**Vario wine cooler with glass door 400 series**  
**212.5 x 60.3 cm**  
**RW464361**

2 independently controllable climate zones  
Consistent temperatures with exact control from  
+5 °C to +20 °C  
Humidity control  
Stainless steel interior  
Fully extendable bottle trays in beech and  
aluminium  
Presentation light option  
Low-vibration operation  
Capacity 98 bottles

**Handling**

Electronic temperature control with digital  
display.

**Technical Features**

Dynamic cold air distribution.  
Automatic defrosting with defrost water  
evaporation.  
UV-protection.  
Open-door and malfunction alarm.

**Features**

Net volume 390 litres.  
Capacity 98 bottles (based on 0.75 l standard  
bottles).  
10 fully extendable bottle trays, up to 4 of which  
for storage of magnum bottles.  
Space for max. 13 bottle trays or shelves in  
aluminium.  
Interior lighting with 2 ceiling spots in each  
climate zone, can be used as presentation light.

**Consumption data**

Energy consumption 237 kWh/year.  
Noise level 42 dB (re 1 pW).

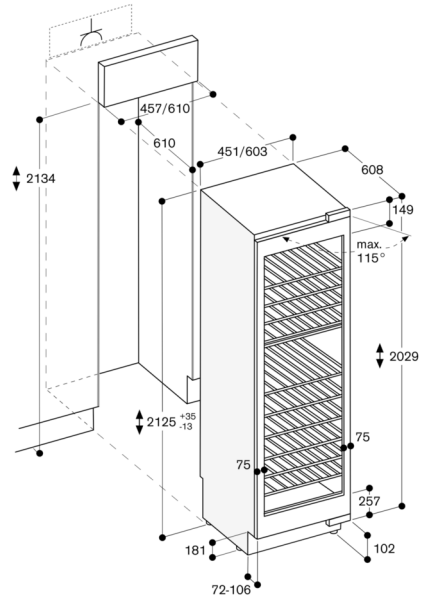
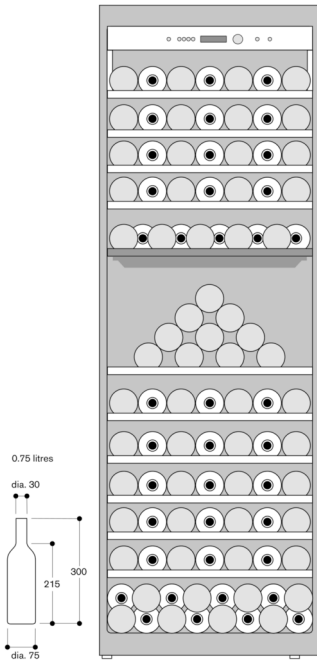
**Planning notes**

Flat hinge.  
Door hinge right, reversible.  
Door opening angle of 115°, fixable at 90°.  
Max. door panel weight 67 kg.  
The mains socket needs to be planned outside  
the built-in niche.  
No transport/operation above 1.500 m sea level.

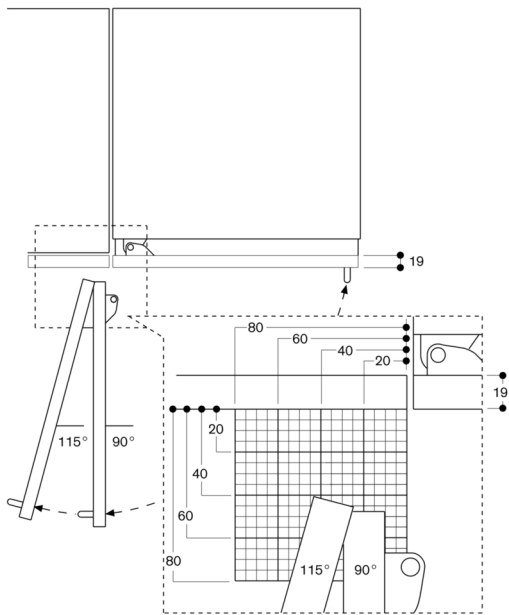
**Connection**

Total connected load: 0.131 KW.  
Connecting cable 3.0 m, detachable.

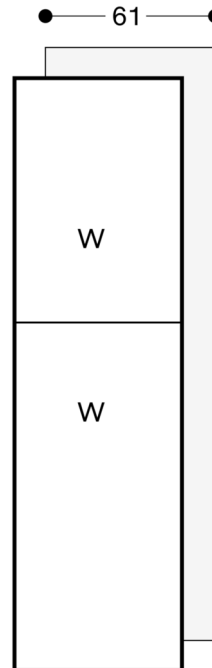
Bottle storage



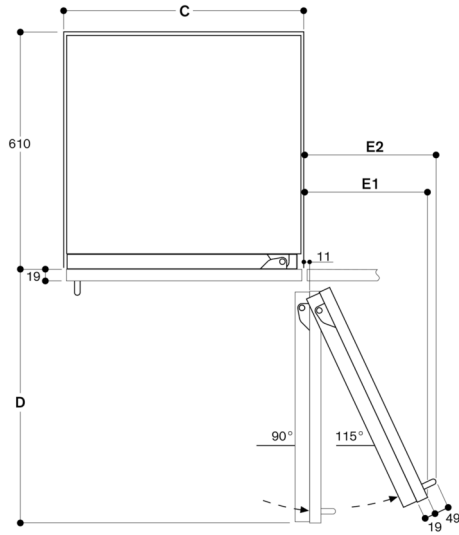
Door opening angle



The hinge travel and resulting clearances from adjacent furniture units and handles can be found from the drawing while allowing for the thickness of the front panel. In the drawing, a furniture unit front panel thickness of 19 mm was assumed.



Wall clearance RB 472/RC/RF/RW

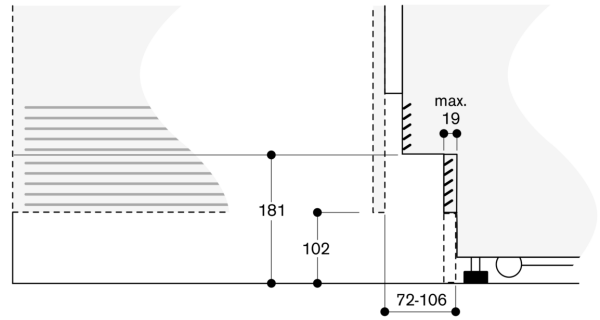


Recess width

C	D	E1	E2
457 mm	525 mm	235 mm	265 mm
610 mm	677 mm	299 mm	330 mm
762 mm	830 mm	363 mm	395 mm

In the drawing, a unit front thickness of 19 mm and a Gaggenau unit handle of 49 mm were taken as a basis.

Base detail



Based on the standard height of the appliance, the height of the plinth is 102 mm. Maximum thickness of the plinth is 19 mm.

Bottle storage

