



RY492301

RA030100:
Storage container with lid

RA421912:
SS door 91,4cm/36" for RY492

RA425110:
Vario SS handle 1131 mm

RA425910:
Vario SS handle 810 mm

RA460000:
Installation kit SxS

RA460011:
Heating side kit 230V

RA460030:
Frontpanel connection for RB

RA461911:
Toe Kick 91,4cm/36"

Vario built-in fridge-freezer with freezer at bottom
400 series
212.5 x 90.8 cm, flat hinge
RY492301

Stainless steel interior
Generous lighting concept
Solid aluminium door racks
Net volume 526 litres
Integrated ice maker with fixed inlet water connection
One motorised glass shelf, adjustable when fully loaded
One asymmetrically split glass shelf
Fully extendable freezer drawer with practical divider
Energy efficiency class A+

Handling

Electronic temperature control with digital display.

Technical Features

Dynamic cold air distribution.
Automatic defrosting with defrost water evaporation.
Open-door and malfunction alarm.

Cooling

No-Frost technology with fast cooling.
Temperature adjustable from +2 °C to +8 °C.
2 safety glass shelves, 1 of which is motorised.
1 asymmetrically split safety glass shelf, with manual height adjustment.
2 fully extendable drawers with transparent front.
Bright interior lighting with light pillars.
4 height adjustable door racks, 2 of which are extra deep.
2 door racks with transparent front flap.

Fresh cooling

No-frost technology.
1 full width fully extendable fresh cooling drawer with transparent front, manually controllable.

Freezing

Net volume 146 litres.
No-frost technology with fast freezing.
4-star freezer compartment.
Freezing capacity 16 kg/24 h.
Storage time after a malfunction 17 h.
2 fully extendable drawers.
Interior lighting with 2 spots.

Ice maker

Integrated in the freezer compartment, with fixed water connection (inlet).
Can be switched off.
Ice cube production: approx. 1.7 kg/24 h.
Removable ice storage container with approx. 3 kg capacity.

Consumption data

Energy consumption 423 kWh/year.
Noise level 42 dB (re 1 pW).

Planning notes

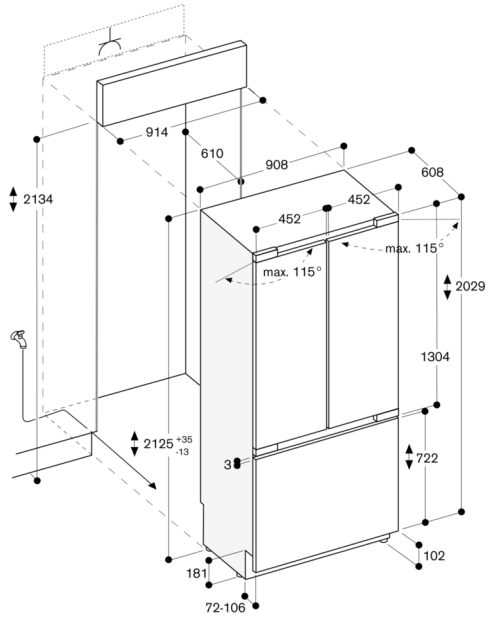
Flat hinge.
Door opening angle of 115°, fixable at 90°.
Max. door panel weight:
Each door 57 kg. Drawer 10 kg.

Shut-off valve for water connection must be planned next to the appliance and always be accessible.

If the water pressure exceeds 0.8 MPa (8 bar), connect pressure relief valve between water tap and hose set.

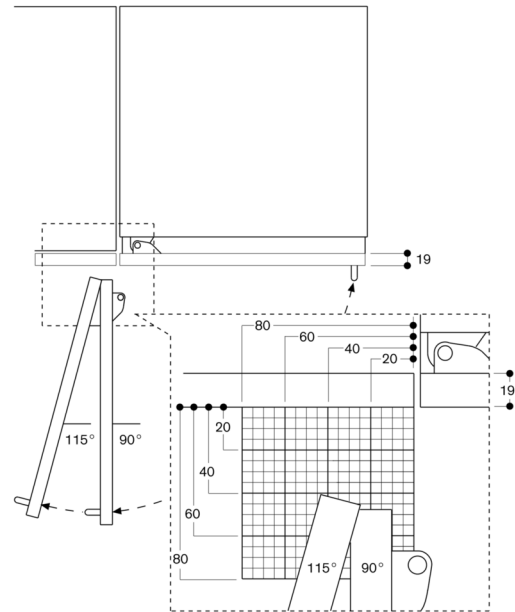
Connection

Total connected load: 0.574 KW.
Connecting cable 3.0 m, detachable.
Water inlet.
Supply hose 3.0 m with 3/4" connection.
Water pressure 2 to 8 bar.

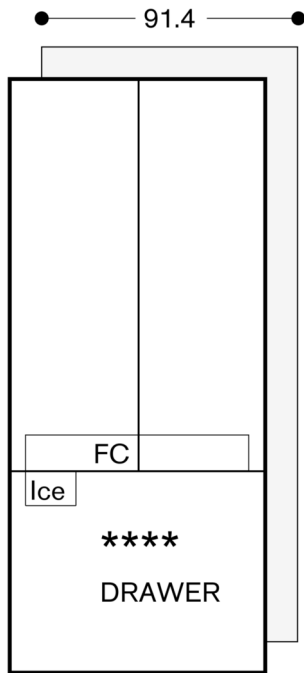


The maximum door panel dimensions are based on a clearance of 3 mm.

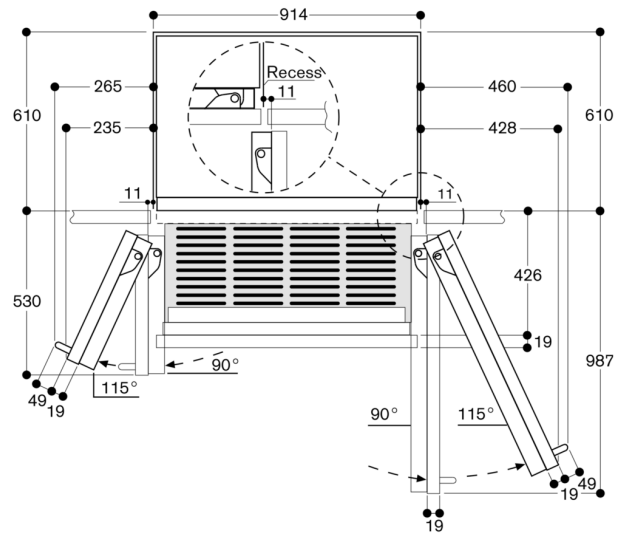
Door opening angle



The hinge travel and resulting clearances from adjacent furniture units and handles can be found from the drawing while allowing for the thickness of the front panel. In the drawing, a furniture unit front panel thickness of 19 mm was assumed.

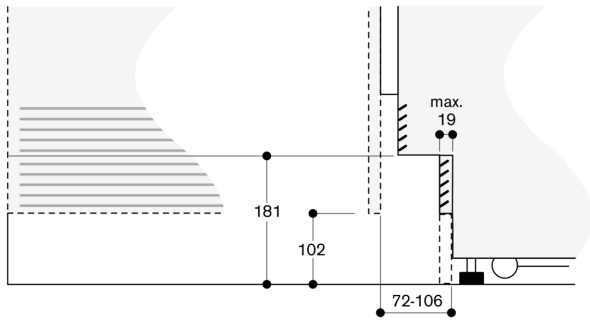


Wall clearance RB 492/RY 492



In the drawing, a unit front thickness of 19 mm and a Gaggenau unit handle of 49 mm were taken as a basis.

Base detail



Based on the standard height of the appliance, the height of the plinth is 102 mm. Maximum thickness of the plinth is 19 mm.