



VG232114F

VD201014:
Stainless steel cover series 200

VV200014:
Connecting strip series 200 ss

Vario gas cooktop 200 series
30 cm, Liquidgas G30,31 28-30/37 mbar
[VG232114F](#)

- Can be combined with the cooktops of the Vario 200 series to a harmonic unity
 - Generous control panel for comfortable and secure operation
 - Solid smooth-surface cast pan supports for easy and safe positioning of cookware
 - 1 high output burner (560 – 2800 W), suitable for pots up to max. ø 22 cm.
 - 1 standard output burner (380 – 1900 W), suitable for pots up to max. ø 22 cm.
 - Can be combined with the cooktops of the Vario 200 series to a harmonic unity
- Generous control panel for comfortable and secure operation
- Solid smooth-surface cast pan supports for easy and safe positioning of cookware

Cooking zones

1 high output burner (560 – 2800 W), suitable for pots up to max. ø 22 cm.

1 standard output burner (380 – 1900 W), suitable for pots up to max. ø 22 cm.

Handling

One-handed operation.

Features

Cast pan support with continuous pot surface.
Enamelled burner cover.

Safety

Thermoelectric safety pilot.

Planning notes

Maximum drawer depth 42 cm.

Appliance can be snapped into the worktop from above.

A minimum clearance of at least 150 mm from adjacent heat-sensitive furniture or contact surfaces must be observed or thermal insulation fitted.

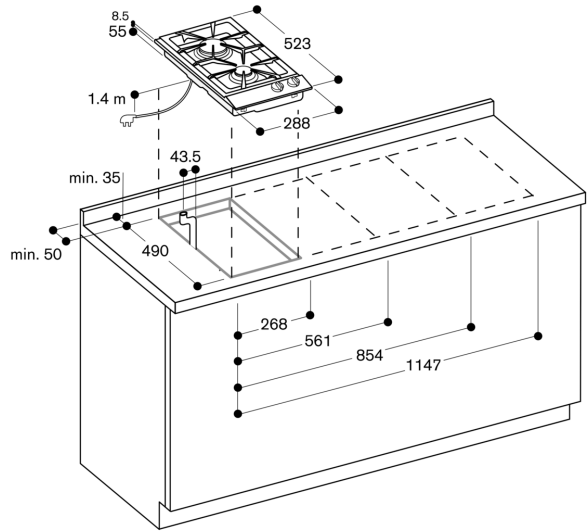
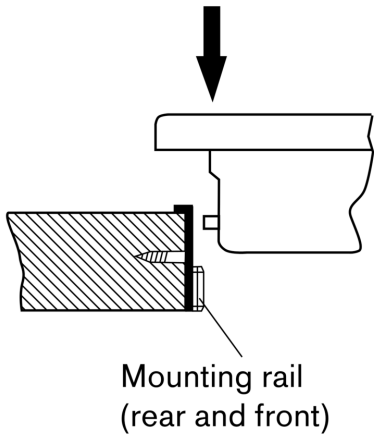
Special nozzles (order 1 of each): Part No. 433603 Natural gas 20 mbar Part No. 419831 Bottled gas 28-37 mbar Part No. 419830 Bottled gas 50 mbar

Connection

Total connected load gas 4.7 KW.

Total connected load electric 1.0 W.

Connecting cable 1.4 m with plug.



Gas connection

