



Color Variants

VI422111

Stainless steel frame

Width 38 cm

VI422111

Vario flex induction cooktop 400 series

Stainless steel frame

Width 38 cm

Flex function for combining the rectangular cooking areas
Free positioning of cookware inside combined cooking areas
Frying sensor function for temperature control in pans
Easy control of all functions with bicoloured display
Solid stainless steel control knob
Precision crafting of 3 mm stainless steel
For surface mounting with a visible edge or for flush mounting
Can be combined perfectly with other Vario appliances of the 400 series

Cooking zones

2 flex induction cooking areas 19x24 cm (2200 W, with booster 3700 W), linked together 38x24 cm (3300 W, with booster 3700 W).

Handling

Control knobs with illuminated ring, cooking zone and output level markings.
Electronic power control in 12 stage (1...12).
User friendly control with bicoloured display (white / orange).

Features

Flex function for rectangular cooking areas.
Frying sensor function.
Booster function.
Stopwatch.
Short-term timer.
Options menu.

Safety

Individual residual heat indicators.
Safety shut-off.

Planning notes

Depending on the type of installation (surface-mounted or flush-mounted), the specific location of the cut-out and the knob positions may vary.
The horizontal positioning of the knobs may be aligned with the specific cooking areas.

The drawing "Installation of the control knob" must be observed if the panel is more than 23 mm thick (there must be a recess at the rear).

If combining several Vario appliances of the 400 series, a connection strip VA 420 must be placed between the appliances. Depending on the type of installation, the corresponding connection strip must be provided.
The bearing capacity and stability, in the case of thin worktops in particular, must be supported using suitable substructures. Take into account the appliance weight and additional loads.
Additional instructions for flush mounting:

Installation is possible in worktops made of stone, synthetics or solid wood. Heat resistance and watertight sealing of the cut edges must be observed. Concerning other materials please consult the worktop manufacturer.

The groove must be continuous and even, so that uniform placing of the appliance on the gasket is ensured. Do not use discontinuous lining.
The joint width may vary due to size tolerances of the combinations and of the worktop cut-out.

Characteristics

Product name/family

Vario/Domino cooking zone cera

Built-in / Free-standing

Built-in

Energy input

Electric

Total number of positions that can be used at the same time

2

Required niche size for installation (HxWxD)

57 x 360 x 490-500

Width of the appliance

380

Dimensions

57 x 380 x 520

Dimensions of the packed product (HxWxD) (mm)

120 x 580 x 600

Net weight (kg)

10.198

Gross weight (kg)

11.2

Residual heat indicator

Location of control panel

External control

Basic surface material

Ceramic

Color of surface

Black, Stainless steel

Color of frame

Stainless steel

Approval certificates

AENOR, CE

Length electrical supply cord (cm)

150

Connection Rating (W)

3700

Gas connection rating (W)

Current (A)

Voltage (V)

220-240

Frequency (Hz)

50; 60

Consumption and connection features

2021-02-25

Page 1

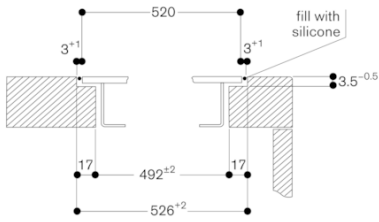
If installing several appliances in individual cut-outs allow for a division bar of minimum 50 mm between the individual cut-outs.
Operates with magnetic (induction) iron pots and pans only. For an optimal heat distribution, the use of sandwich bottom cookware is recommended.
Appliance can be snapped into the worktop from above.
Appliance weight: approx. 10.

Connection

Total connected load 3.7 KW.

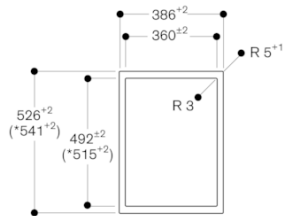
Connecting cable 1.5 m without plug.

Cross-section



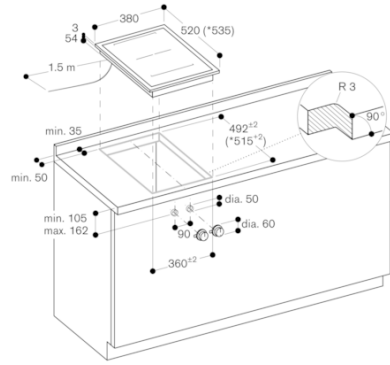
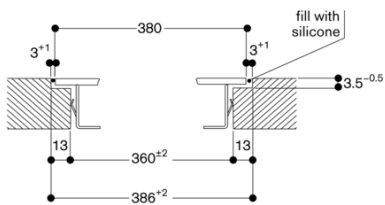
When installing with appliance cover or filler strip, pay attention to the deeper cut-out and the front and rear groove width.

View from above

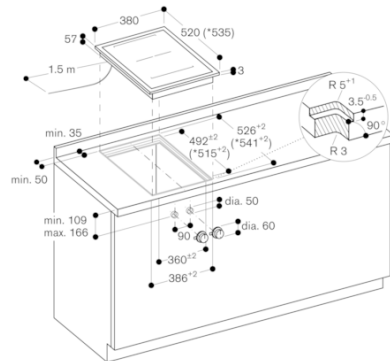


* with appliance cover or filler strip (observe the front and rear asymmetrical support, see separate notes "Installation with appliance cover/filler strip").

Longitudinal section

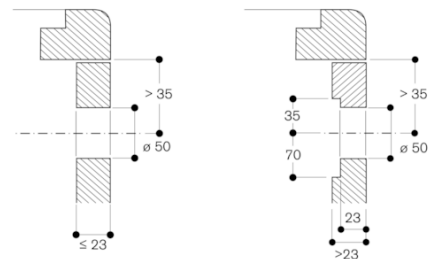


* with filler strip
 See separate planning notes.



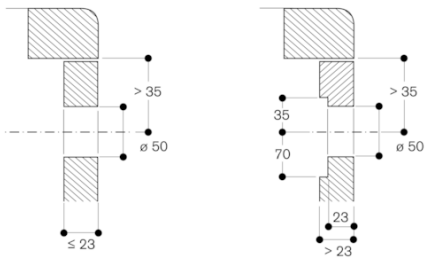
* with filler strip
 See separate planning notes.

Installation of the control knob; flush installation



measurements in mm

Installation of the control knob; surface mounting



measurements in mm