



#### Color Variants

VI492111

Stainless steel frame

Width 90 cm

VI492111

Vario flex induction cooktop 400 series

Stainless steel frame

Width 90 cm

Flex function for combining the rectangular cooking areas  
Free positioning of cookware inside combined cooking areas  
Frying sensor function for temperature control in pans  
Large cooking zone for pots up to  $\varnothing$  32 cm  
Ideal for the original wok pan with round bottom, with wok ring  
Easy control of all functions with bicoloured display  
Solid stainless steel control knob  
Precision crafting of 3 mm stainless steel  
For surface mounting with a visible edge or for flush mounting  
Can be combined perfectly with other Vario appliances of the 400 series

#### Cooking zones

2 flex induction cooking areas 19x23 cm (2200 W, with booster 3700 W), linked together 38x23 cm (3300 W, with booster 3700 W).  
1 induction cooking zone  $\varnothing$  21 cm (2200 W, with booster 3700 W), automatically switches to  $\varnothing$  26 cm (2600 W, with booster 3700 W) and to  $\varnothing$  32 cm (3300 W, with booster 3700 W).

#### Handling

Control knobs with illuminated ring, cooking zone and output level markings.  
Electronic power control in 12 stage (1...12).  
User friendly control with bicoloured display (white / orange).

#### Features

Flex function for rectangular cooking areas.  
Frying sensor function.  
Booster function.  
Stopwatch.  
Short-term timer.  
Options menu.

#### Safety

Individual residual heat indicators.  
Safety shut-off.

#### Planning notes

Depending on the type of installation (surface-mounted or flush-mounted), the specific location of the cut-out and the knob positions may vary.  
The horizontal positioning of the knobs may be aligned with the specific cooking areas and zones.  
The drawing "Installation of the control knob" must be observed if the panel is more than 23 mm thick (there must be a recess at the rear).  
If combining several Vario appliances of the 400 series, a connection strip VA 420 must be placed between the appliances. Depending on the type of installation, the corresponding connection strip must be provided.  
The bearing capacity and stability, in the case of thin worktops in particular, must be supported using suitable substructures. Take into account the appliance weight and additional loads.  
Additional instructions for flush mounting:

#### Characteristics

Product name/family

Cooking zone ceramic

Construction type

Built-in

Energy input

Electric

Total number of positions that can be used at the same time

5

Type of control setting devices

Required niche size for installation

(HxWxD)

57 x 885-889 x 490-494

Width of the appliance

908

Dimensions

57 x 908 x 520

Dimensions of the packed product

(HxWxD) (mm)

111 x 1109 x 712

Net weight (kg)

24.752

Gross weight (kg)

26.8

Residual heat indicator

Separate

Location of control panel

External control

Type of external control possibility

Basic surface material

Ceramic

Color of surface

Black, Stainless steel

Color of frame

Stainless steel

Approval certificates

AENOR, CE

Length electrical supply cord (cm)

150

Knob Material

Full metal

Sealed Burners

No

heating with booster

All

Type of pan support

Natural Gas Connection Rating (BTU)

LP Gas Connection Rating (BTU)

Dimension of 1st heating element (in)

Power of heating element (kW)

Power of 1st burner (BTU)

Dimension of 2nd heating element (in)

Power of 2nd heating element (kW)

3.3

Power of 2nd burner (BTU)

Dimension of 3rd heating element (in)

Power of 3rd heating element (kW)

Power of 3rd burner (BTU)

Dimension of 4th heating element (in)

Power of 4th heating element (kW)

Power of 4th burner (BTU)

Dimension of 5th heating element (in)

Power of 5th heating element (kW)

Power of 5th burner (BTU)

Dimension of 6th heating element (in)

Power of heating element (kW in boost)

3.7

Power of 3rd heating element (kW in boost)

Power of 4th heating element (kW in boost)

Power of 5th heating element (kW in boost)

Power of 6th heating element (kW in boost)

3.7

Connection Rating (W)

11100

Gas connection rating (W)

Current (A)

Voltage (V)

220-240

Frequency (Hz)

60; 50

Universal Product Code

825225954699

Main colour of product

Black

Energy input

Electric

Installation is possible in worktops made of stone, synthetics or solid wood. Heat resistance and watertight sealing of the cut edges must be observed. Concerning other materials please consult the worktop manufacturer.

The groove must be continuous and even, so that uniform placing of the appliance on the gasket is ensured. Do not use discontinuous lining.

The joint width may vary due to size tolerances of the combinations and of the worktop cut-out.

If installing several appliances in individual cut-outs allow for a division bar of minimum 50 mm between the individual cut-outs.

Operates with magnetic (induction) iron pots and pans only. For an optimal heat distribution, the use of sandwich bottom cookware is recommended.

Appliance can be snapped into the worktop from above.

Appliance weight: approx. 25.

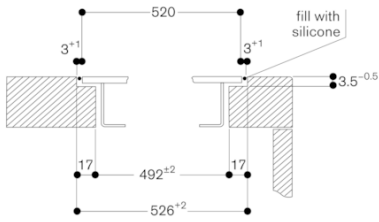
#### Connection

Total connected load 11.1 kW.

Connecting cable 1.5 m without plug.

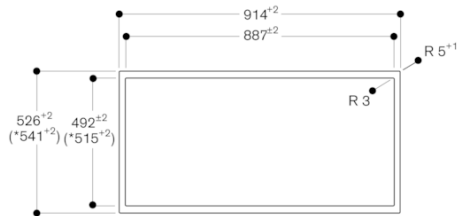
# GAGGENAU

Cross-section



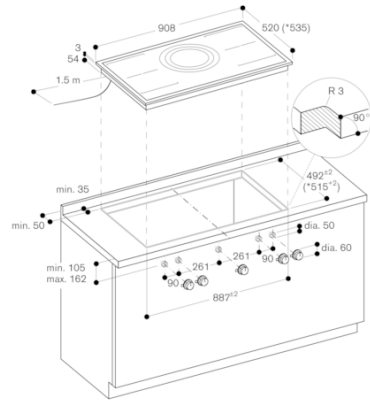
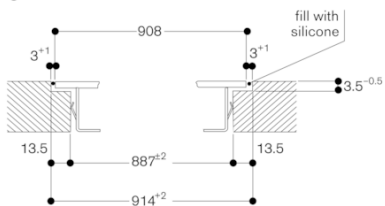
When installing with appliance cover or filler strip, pay attention to the deeper cut-out and the front and rear groove width.

View from above

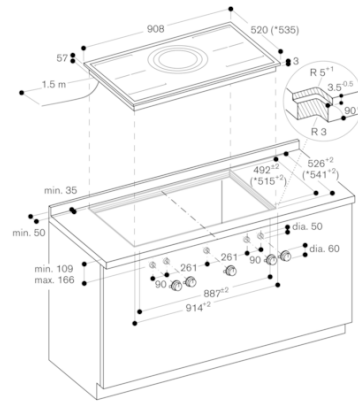


\* with filler strip

Longitudinal section

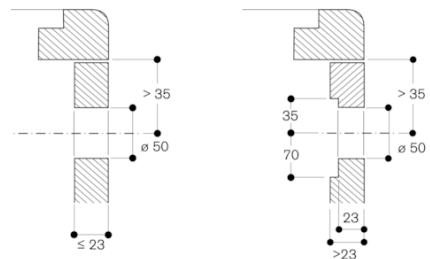


\* with filler strip.  
 For further installation options, see the installation instructions.



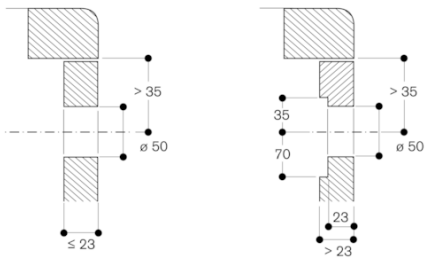
\* with filler strip.  
 For further installation options, see the installation instructions.

Installation of the control knob; flush installation



measurements in mm

Installation of the control knob; surface mounting



measurements in mm