



Color Variants

VL410111

Width 11 cm

Air extraction / Air recirculation

Downdraft ventilation 400 series

With frame for flush mounting

Width 11 cm

Air extraction / Air recirculation

For combination within the sets CVL 410 and CVL 420

A

Highly efficient ventilation system at the cooktop

Motorless, can be combined with Gaggenau BLDC remote fan units

Output

Power levels depend on the remote fan unit, see table on page XX.

Features

Manual opening of the ventilation element.

Closing element made of stainless steel, dishwasher-safe.

Metal grease filter, dishwasher-safe.

No connecting piece included.

Consumption data

Consumption data is referred to a configuration with the remote fan unit AR 403 122.

Energy consumption 53.2 kWh/year.

Ventilation efficiency class A.

Illumination efficiency class -.

Grease filter efficiency class C.

Sound level min. 56 dB / max. 68 dB normal mode.

Planning notes

For combination within the sets CVL 410 and CVL 420.

Secure the control unit to the side panel of the cabinet, not to the base of the cabinet or the kitchen floor.

When installing a ventilation hood with air extraction mode and a chimney-vented fireplace, the power supply line of the ventilation appliance needs a suitable safety switch.

Connection

Connection cable 2.0 m between ventilation element VL 410 and control knob AA 490.

Characteristics

Product name/family

Color chimney

Typology

Downdraft

Approval certificates

CE, Eurasian, VDE

Length electrical supply cord

Required niche size for installation (HxWxD)

170mm x 90.0mm x 492mm

Height of the chimney

Height of product, without chimney

Net weight

2.8

Type of control

Electronic

Number of speed settings

Maximum output air extraction

540

Boost position output recirculating

Maximum output recirculating air

470

Boost position air extraction

Number of lights

Noise level

68

Diameter of air outlet

150

Grease filter material

Washable stainless steel

Odour filter

No

Operating Mode

Convertible

Delay Shut off modes

Required accessories

Optional accessories

AA400510

Type of lamps used

Total power of the lamps

Grease filter type

Kassette

Clean filter reminders

Connection Rating

Fuse protection

Voltage

220-240

Frequency

50-60

Plug type

Installation typology

Built-in

Universal Product Code

Material body

Stainless steel

Approval certificates

CE, Eurasian, VDE

Length of electrical supply cord (in)

Plug type

Dimensions of the product, with chimney (if exists) (in)

/ x 4 5/16 x 20 15/32

Dimensions of the packed product

7.08 x 15.55 x 23.42

Height of the chimney (in)

Vertical rise height

Required distance above cooktop/ranges

Net weight

6.000

Gross weight

16.000

Motor location

without motor

Maximum output recirculating air

Diameter of air duct (in) top

Diameter of air duct (in) back

Discharge direction

downward

No-return airflow flap

No

Length electrical supply cord

Dimensions of the product, with chimney (if exists)

x 110.0 x 520.0

Dimensions of the packed product

(HxWxD)

180 x 395 x 595

Height of the chimney (in)

Net weight

GAGGENAU

Downdraft ventilation 400 series

With frame for flush mounting

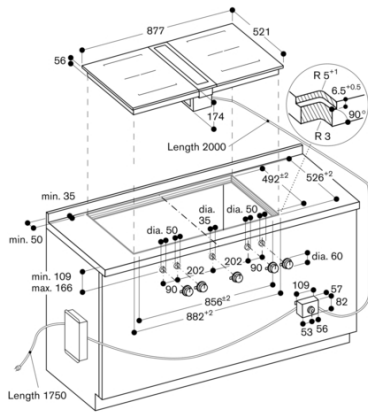
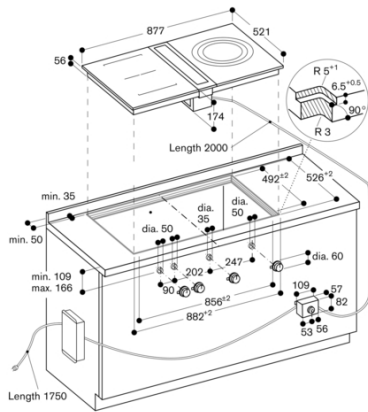
Width 11 cm

Air extraction / Air recirculation

For combination within the sets CVL 410 and CVL 420

2022-02-05

Page 2



GAGGENAU