



WSP221110

warming drawer 200 series  
60 x 14 cm, Gaggenau Metallic  
[WSP221110](#)

Flush installation  
Handleless drawer  
Push-to-open system  
Hygienic stainless steel interior with glass bottom  
4 power levels in the temperature range 40 °C to 80 °C (glass surface)  
Also for preparing and cooking meals, and for keeping meals warm

#### Heating methods

Defrosting of meals/proving of yeast dough.  
Preheating of small beverage containers.  
Keeping meals warm/slow cooking meals.  
Warming ovenware.

#### Handling

Rotary knob operation.

#### Features

Net volume 20 litres.  
Volume capacity: Dinner service for 6 people including ø 24 cm plates and soup bowls, additional bowls and a serving dish depending on size.  
Max. load 25 kg.  
Usable interior dimensions  
W468 x H 92 x D 458 mm.  
Heating under glass bottom for easy cleaning.  
Fan for even heat distribution for fast warming ovenware.  
Status display, visible in the glass front.  
Glass bottom made of safety glass.

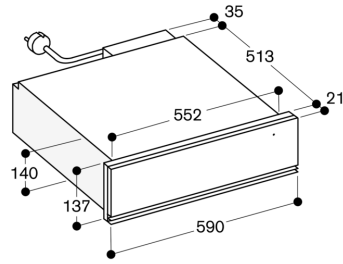
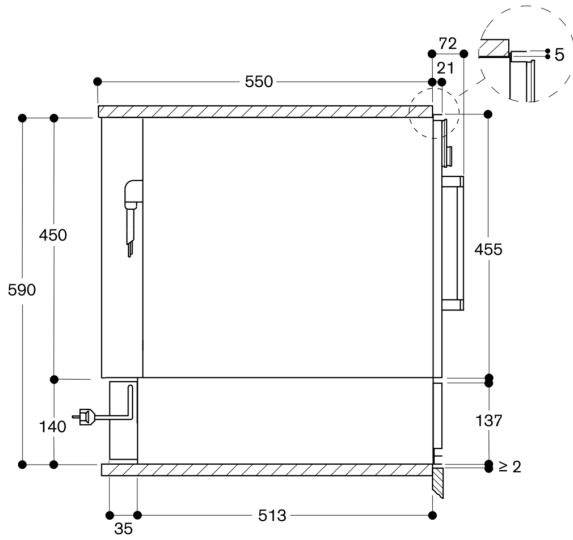
#### Planning notes

Necessary lateral gap between appliance front and furniture panel of min. 5 mm.  
The door panel surface of the appliance extends 21 mm from the furniture cavity.  
Installation of BSP/BMP/CMP directly above WSP in 59 cm niche without intermediate floor.  
The socket can be planned behind the appliance.

#### Connection

Total connected load 0.81 KW.  
Connection cable 1.5 m, detachable.

WSP 221 below BSP, BMP, CMP



measurements in mm