



WT260100

WA032001:

Stacking kit with pull out shelf

heat pump tumble dryer 200 series

8 kg

WT260100

Can be perfectly combined with WM 260 162
Large drum with interior lighting
Large porthole with 180 ° door opening angle
Self-cleaning heat exchanger, highest comfort and constantly low consumption
Heat pump technology
Energy efficiency class A++

Handling

Electronic control.
Illuminated rotary knob with integrated On-Off switch.
Touch key operation.
TFT display with clear text and symbols.
Programme sequence and remaining time display.
Time delay up to 24 hours.
Multiple signal tones.

Technical Features

Moisture and time controlled programmes.
Heat pump technology.
Self-cleaning heat exchanger.
Anti-crease cycle at programme end.
Child lock.

Programmes

Cottons.
Easy Care.
Mix.
Shoes in basket.
Wool in Basket.
Cold.
Warm.
Towels.
Blankets.
Jeans.
Super 40.
Outdoor.
Downs.
Shirts/blouses.

Features

Stainless steel drum with honeycomb structure.
Dry wool without shrinking or matting thanks to the included basket for woollens.
Volume capacity from 1 to 8 kg.
Drum interior lighting.

Consumption data

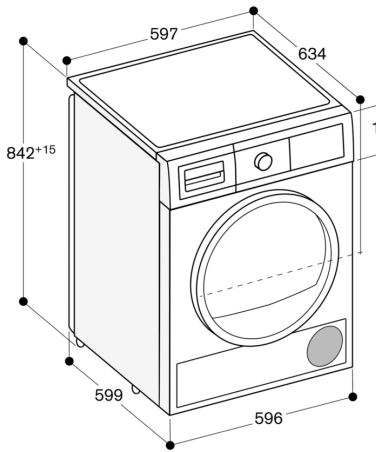
Energy efficiency class A++ at a range of energy efficiency classes from A+++ to D.

Planning notes

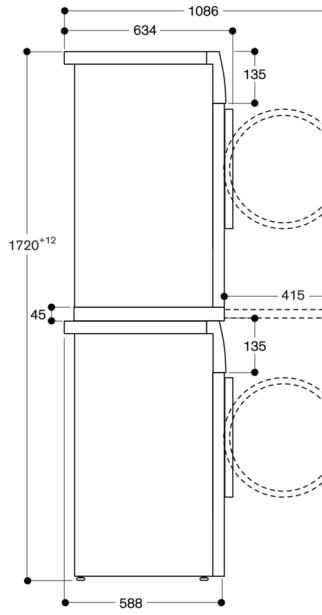
Right-hinged, reversible.
Height-adjustable feet.
Height for slide-under installation: 84.2 cm.
Stackable over the washing machine WM 260 162 in combination with special accessory.

Connection

Total connected load 1.0 KW.
Connection cable 1.45 m with plug.



Side view of WD 260 above WM 260 with conne



Side view of WT 260 above WM 260

with connection kit WA 032 001

