



AF210161
Width 60 cm
Air extraction / Air recirculation



Unobtrusive flat kitchen hood design thanks to integrated glass panel in the steam screen
 Especially quiet operation thanks to integrated sound insulation
 Steam screen extends by pulling the handle bar
 Especially high air output
 Energy-saving, low-noise fan
 Function for automatic, sensor-controlled power adjustment depending on the build-up of cooking vapours
 Dimmable, neutral white LED light for ideal illumination of the whole cooktop
 The patented lowering frame allows the slideout rangehood to disappear completely into the upper cabinet
 Air extraction or air recirculation system
 Air recirculation module with activated charcoal filter: quiet and highly efficient air recirculation solution with odour reduction in air extraction mode and long replacement intervals

Output
 3 electronically controlled power levels and 1 intensive mode.
 Odour reduction air recirculation 91%.

Features
 Stainless steel handle bar
 Controls at front.
 Automatic function with sensor-controlled run-on function.
 Grease filter saturation indicator.
 Stainless steel grease filter, dishwasher-safe.
 Neutral white LED light (3500 K), continuously dimmable.
 Lamp output 2 x 3 W.
 Illuminance 669 lx.
 Light can be switched on separately.
 Fan technology with highly efficient, brushless DC motor (BLDC).
 Integrated sound insulation for quiet operation.
 The fan is activated when the steam screen is extended.
 Patented technology for extension of the steam screen.
 Extendable steam screen 198 mm.
 Airflow-optimised interior for efficient air circulation and ease of cleaning.
 Patented easy mounting system for simple installation.
 The package includes an one-way flap.

Consumption data
 Energy consumption 41.8 kWh/year.
 Sound level min. 41 dB / max. 57 dB normal mode.

Planning notes
 Patented air recirculation module with activated charcoal filter can be installed in the upper cabinet. The activated carbon filter can be changed from the front by simply pulling out the activated charcoal filter.
 The door of the upper cabinet must be fully open in order to change the activated charcoal filter.
 To be installed in an upper cabinet without base.
 The required cavity depth of the upper cabinet together with the lowering frame measures 335 mm.

Characteristics
Product name/family
Color chimney
Typology
Pull-out
Approval certificates
Australia Standards, CE, Eurasian, G-Mark, Ukraine, VDE
Length electrical supply cord
175
Required niche size for installation (HxWxD)
349mm x 524.0mm x 290mm
Height of the chimney
Height of product, without chimney
Minimum distance above an electric cooktop
430
Minimum distance above a gas cooktop
650
Net weight
14.6
Type of control
Electronic
Number of power settings
3-stages + intensive setting
Maximum output air extraction
514
Boost position output recirculating
649
Maximum output recirculating air
500
Boost position air extraction
953
Number of lights
2
Noise level
57
Diameter of air outlet
120 / 150
Grease filter material
Washable stainless steel
EAN code
4242006267247
Connection Rating
266
Fuse protection
10
Voltage
220-240
Frequency
50; 60
Plug type
CH plug w/ earthing, Gardy plug w/ earthing, GB plug
Installation type
Built-in

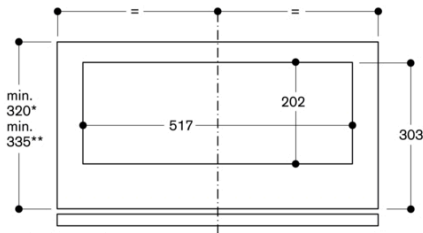
The required cavity height of the upper cabinet together with the lowering frame measures 600 mm.
 Clearance above electric appliances min. 43 cm.
 When installing a ventilation hood with air extraction mode and a chimney-vented fireplace, the power supply line of the ventilation appliance needs a suitable safety switch.

Connection
 Total connected load 266 W.
 Connecting cable 1.8 m, pluggable.

Consumption and connection features
 2022-02-04
 Page 1

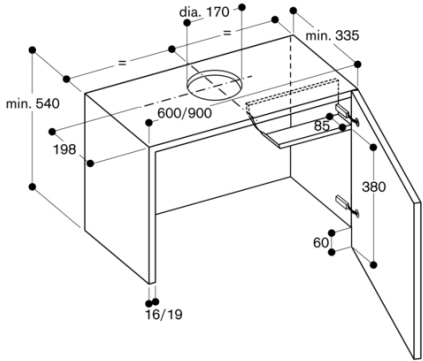
Color Variants
AF210161
Air extraction / Air recirculation

View of upper cabinet from above with AA 211 812

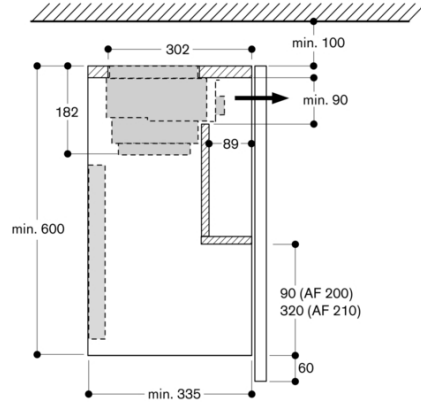


* Appliance only
 ** Appliance with AA 210 490/460 lowering frame

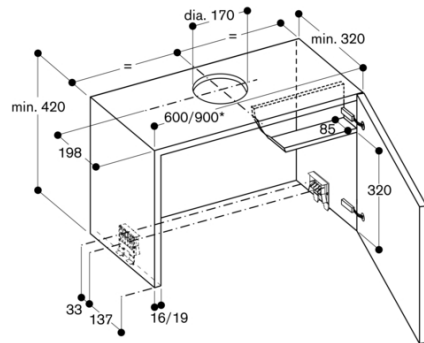
Upper cabinet for AF 210
 with AA 210 460/AA 210 490 lowering frame



Cross-section of upper cabinet with AA 211 812 and AA 210 490/460 lowering frame



Upper cabinet for AF 210



* for upper cabinets measuring 90 cm, the AA 210 491 installation set is required in addition

Cross-section of upper cabinet with AA 211 812

