



Color Variants

AI280120
Stainless steel
Width 120 cm

AI280120
Island hood 200 series
Stainless steel
Width 120 cm
Air extraction / Air recirculation
Delivery without chimney

Coanda effect on both sides leads to highly efficient extraction, even on lowest power level
Air extraction or air recirculation system
Dimmable Soft-Light
Operation from both sides

Output

Performance and noise level, output level 3/Intensive:
Air output according to EN 61591.
Sound power level according to EN 60704-3.
Sound pressure level according to EN 60704-2-13.
Odour reduction for air recirculation in accordance with EN 61591.
Air extraction:
500 / 690 m³/h + Coanda effect 120 / 120 m³/h.
62 / 70 dB (A) re 1 pW.
48 / 56 dB (A) re 20 µPa.
Air recirculation:
270 / 310 m³/h + Coanda effect 80 / 80 m³/h.
68 / 75 dB (A) re 1 pW.
53 / 61 dB (A) re 20 µPa.

Features

Control panel in the front and the rear. 3 electronically controlled power levels. Intensive mode with ongoing Coanda effect.
Interval ventilation, 5 min.
Run-on function, 10 min.
Grease filter saturation indicator.
Cartridge-type filter, dishwasher-safe.
Lighting colour 4000 K.
Fully illuminated surface with compact fluorescent tube 2 x 36 W and dimmable Soft-Light.
Illuminance 953 lx.

Consumption data

Energy efficiency class D.
Energy consumption 170.3 kwh/year.
Ventilation efficiency class D.
Illumination efficiency class D.
Grease filter efficiency class A.
Sound level min. 47 dB / max. 62 dB normal mode.

Planning notes

For calculating the exhaust air line go to Rodun online at www.gaggenau.com.
For maximum exhaust air line use Gaggenau flat duct system AD 8... or Naber-System Compair flow. Other flat ducts are not permitted!
When installing a ventilation hood with air extraction mode and a chimney-vented fireplace, the power supply line of the ventilation appliance needs a suitable safety switch.
Vario cooktops with intensive production of vapours like VR/VP/VF should be placed in the middle beneath the hood (in this case air recirculation is not recommended).
Clearance above gas appliances min. 65 cm (more than total load gas 12 kW min. 70 cm).
Clearance above electric appliances min. 55 cm.
Side outlet no lower than 58 cm from the bottom edge of the hood (middle of pipe).

Characteristics

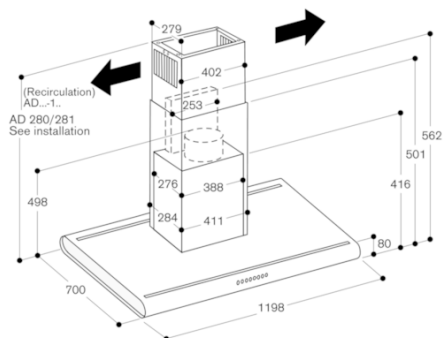
Product name/family
Color chimney
Typeology
Chimney
Approval certificates
CE, VDE
Length electrical supply cord (cm)
140
Required niche size for installation (HxWxD)
Height of the chimney (mm)
Height of product, without chimney (mm)
80
Minimum distance above an electric hob
550
Minimum distance above a gas hob
650
Net weight (kg)
42.165
Type of control
Electronic
Number of speed settings
Maximum output air extraction (m ³ /h)
500
Boost position output recirculating (m ³ /h)
310
Maximum output recirculating air (m ³ /h)
270
Boost position air extraction (m ³ /h)
690
Number of lights
2
Noise level (dB)
62
Diameter of air outlet (mm)
150
Grease filter material
Washable stainless steel
EAN code
4242006169299
Consumption and connection features
Connection Rating (W)
335
Current (A)
Voltage (V)
220-240
Frequency (Hz)
50
Plug type
Gardy plug w/ earthing
Installation typology
Island
2019-11-09
Page 1

Fit the socket concealed behind ventilation duct.
Recommendation for stainless steel parts positioned nearby that have to be welded and polished: brushed grain 280.
Surfaces: Stainless steel 1.4016, ground and brushed IIC.
The dimensions of the air ducts refer to a distance of 1.60 m from the floor to the bottom edge of the hood. Convert for other installation heights: Worktop height + minimum clearance + hood with duct.

Connection

Total connected load 335 W.
Connecting cable 1.4 m with plug.

AI280120
Island hood 200 series
Stainless steel
Width 120 cm
Air extraction / Air recirculation
Delivery without chimney
2019-11-09
Page 2



Air extraction:
AD 280/281 016 = 670-840 mm
AD 280/281 026 = 840-1160 mm
AD 280/281 036 = 1160-1380 mm

Recirculation:
AD 280/281 126 = 840-1160 mm
AD 280/281 136 = 1160-1380 mm

One-piece upright special duct
in conjunction with ceiling collar on request