



AL400191

AA400510:
Window contact switch with cable

AA010410:
ventilation grid 90 cm

AA409401:
Furniture support for AL400 90cm

AD704048:
Air Collector Box dia. 150mm round

AD704049:
Air collector box flat duct AL 400

AD754045:
Adapter for AL round 2x DN150

AD854043:
Connection piece for AL 2x flat 150mm

AD854045:
Connection piece for AL 2x flat 150mm

Table ventilation 400 series
90 cm, Stainless steel
AL400191

– Streamlined and Effortless Cooking Experience

- Extendable table ventilation, when not in use can be completely lowered into the worktop
- Can be combined perfectly with other Vario appliances of the 400 series
- Dimmable, neutral white surface LED light for ideal illumination of the whole cooktop
- Precision crafting of 3 mm stainless steel
- For surface mounting with a visible edge or for flush mounting
- Motorless, can be combined with Gaggenau BLDC remote fan units

Output

Power levels depend on the remote fan unit.

Features

- stainless steel
- 3 electronically controlled power levels and 1 intensive mode.
- Interval ventilation, 6 min.
- Run-on function, 6 min.
- Grease filter saturation indicator.
- Cartridge-type filter, dishwasher-safe.
- Neutral white surface LED light (3600 K), continuously dimmable.
- Lamp output 4 x 5 W.
- Illuminance 191 lx.
- Spare covers for closing air outlets.
- No connecting piece included.

Consumption data

Consumption data is referred to a configuration with the remote fan unit AR 400 142.

Energy consumption 45.5 kWh/year.

Sound level min. 45 dB / max. 61 dB normal mode.

Planning notes

Secure the control unit to the side panel of the cabinet, not to the base of the cabinet or the kitchen floor.

Connection to the respective appliances via network cable.

Operation of Vario cooking appliances only possible without appliance cover.

Max. output of cooktops 18 kW.

Installation is possible in worktops made of stone, synthetics or solid wood. Heat resistance and watertight sealing of the cut edges must be observed. Concerning other materials please consult the worktop manufacturer.

The remaining surface of the worktop (min. 50 mm) between the cut-outs must be reinforced with a support. It is recommended to use furniture support AA 409 401/431.

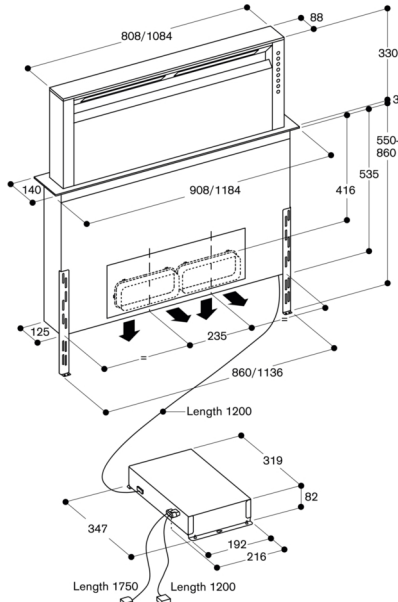
Ovens that do not exceed the maximum allowed cabinet temperature can be combined with the table ventilation if built-in situation permits.

To avoid smoke when frying/grilling refer to the manuals of VR/VP.

When installing a ventilation hood with air extraction mode and a chimney-vented fireplace, the power supply line of the ventilation appliance needs a suitable safety switch.

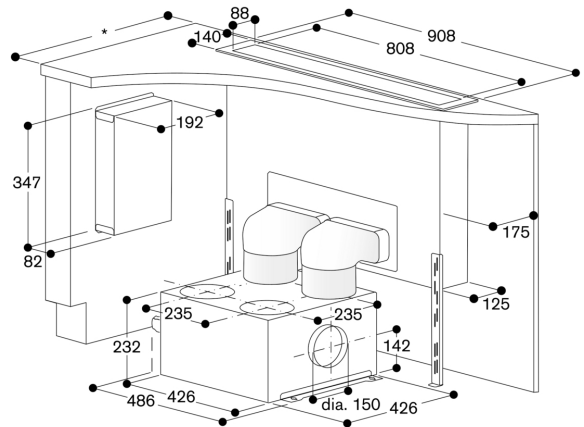
Connection

Total connected load 65 W.
Network cable 1.2 m.

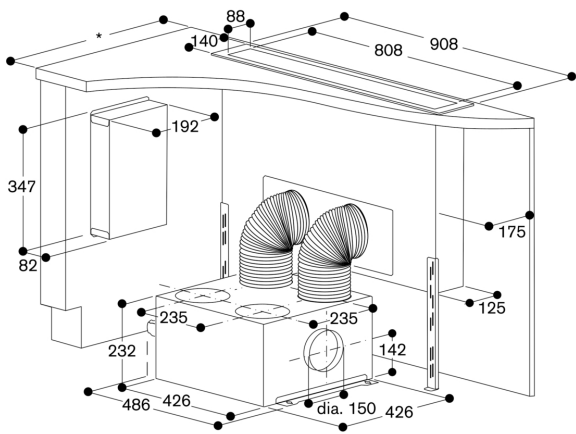


Pipe connection piece 2 x DN 150 front/rear
 Flat duct using AD 854 045
 Round duct using AD 754 045

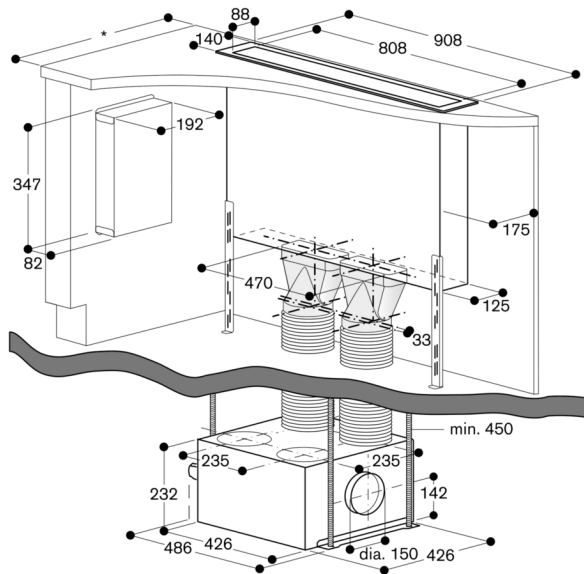
Pipe connection piece 2 x DN 150 bottom
 Flat duct using AD 854 043



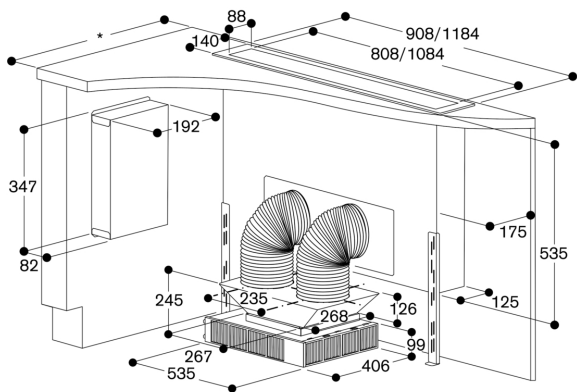
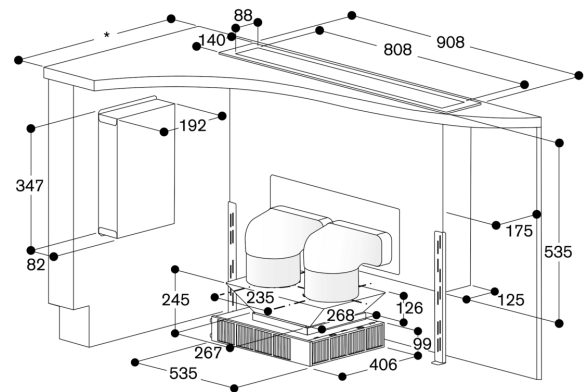
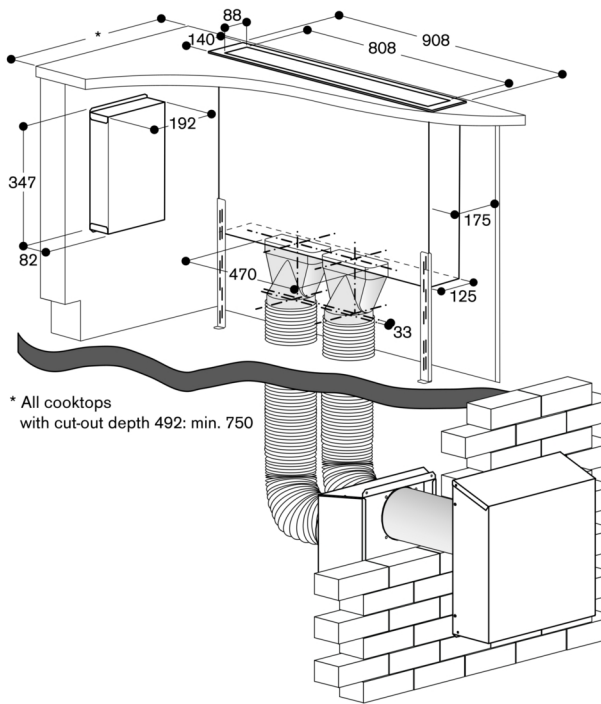
* All cooktops with cut-out depth 492: min. 750



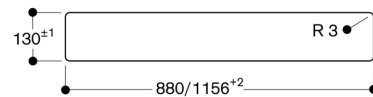
* All cooktops with cut-out depth 492: min. 750



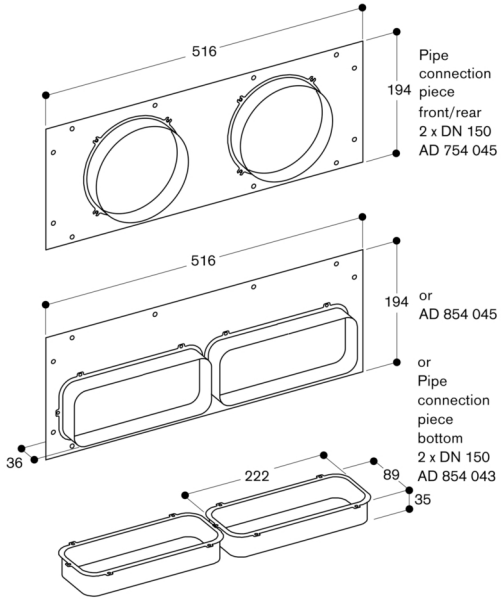
* All cooktops with cut-out depth 492: min. 750



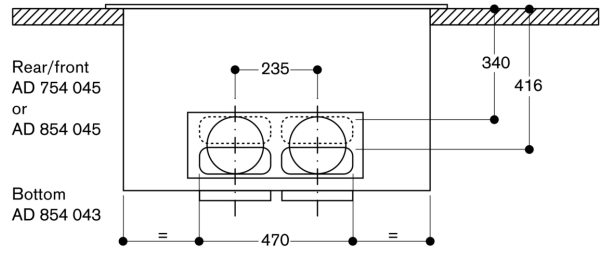
AL 400 cut-out for surface mounting



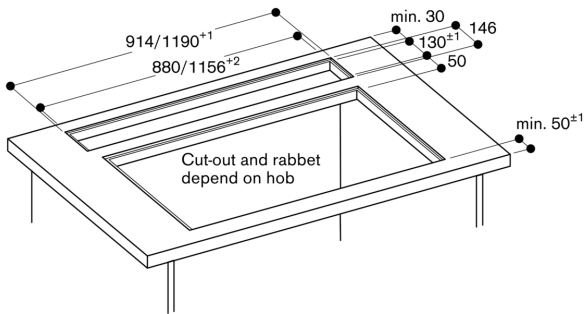
AD 754/854 045 and AD 854 043



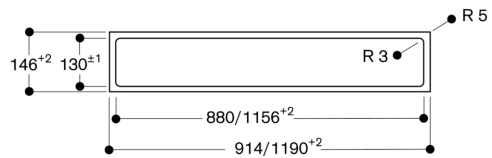
AL 400 connection positions DN 150



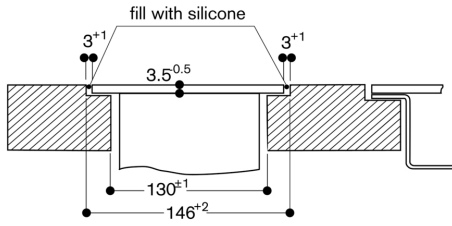
AL 400 installed flush



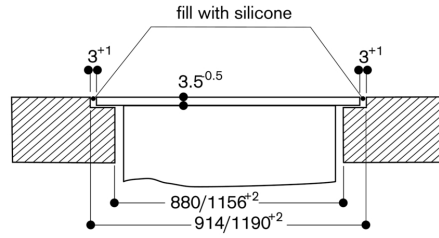
AL 400 cut-out flush-mounted



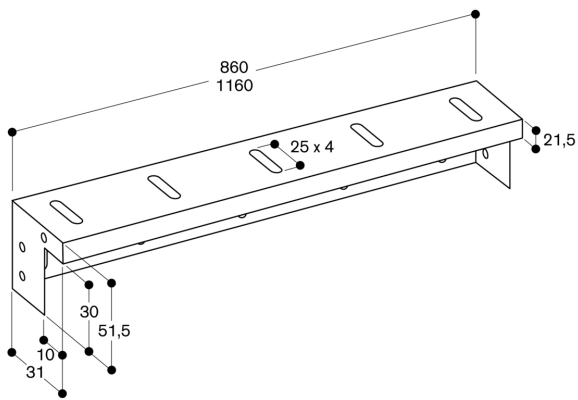
Cross-section



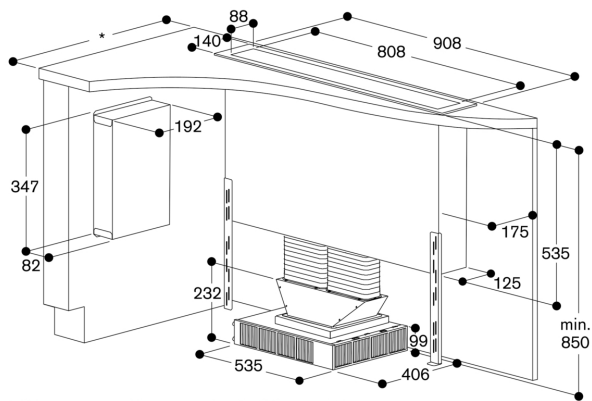
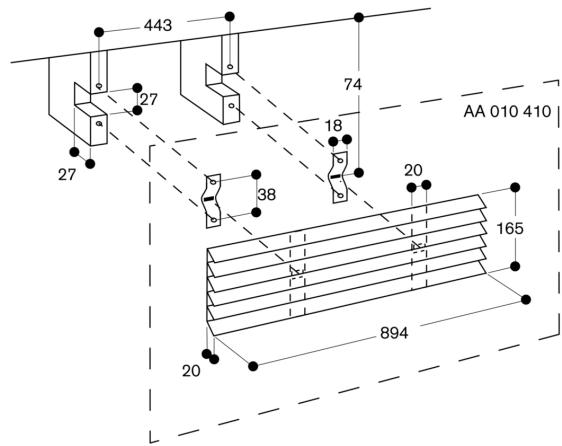
Longitudinal section



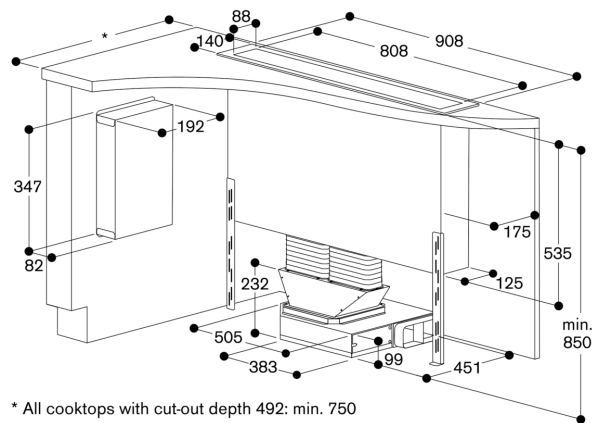
AA 409 401/431 furniture support



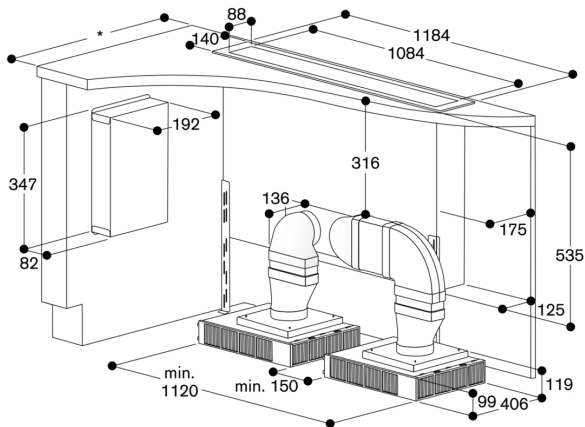
AA 010 410 air exhaust grille



* All cooktops with cut-out depth 492: min. 750

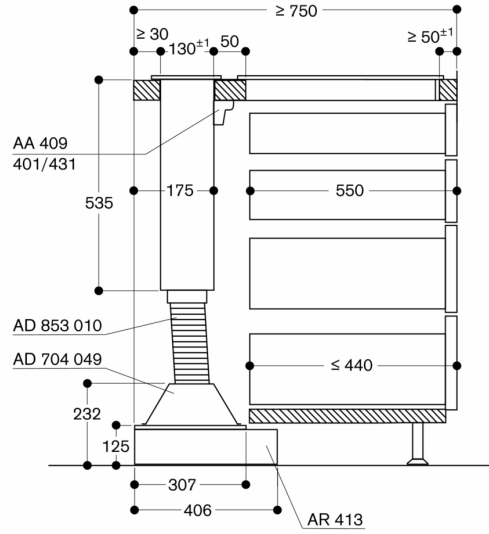


* All cooktops with cut-out depth 492: min. 750

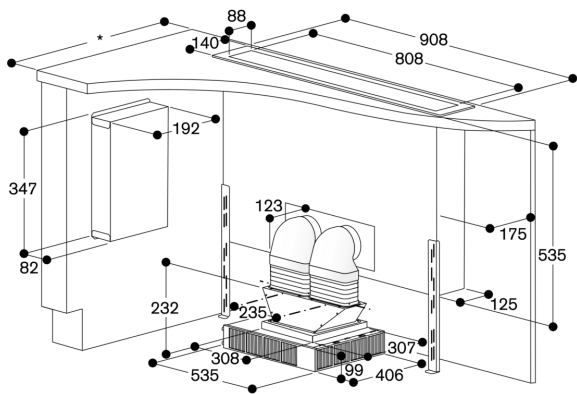


* All cooktops with cut-out depth 492: min. 750

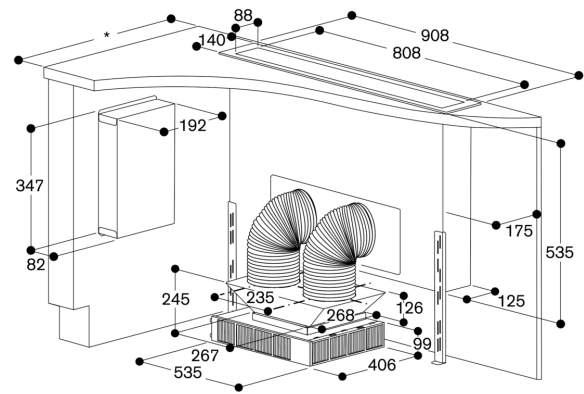
Cross-section of upper cabinet for AL 400 (without back wall) with AR 413; connection at the bottom



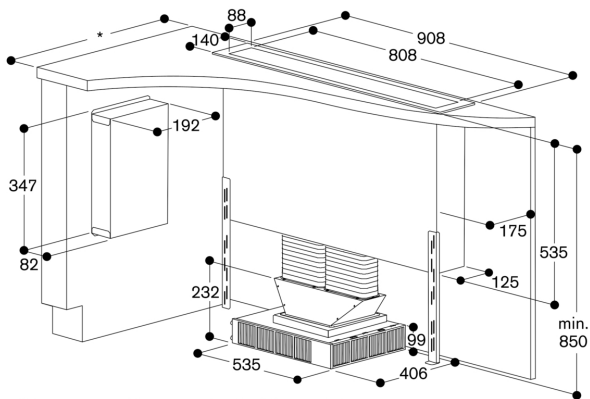
measurements in mm



* All cooktops with cut-out depth 492: min. 750



* All cooktops with cut-out depth 492: min. 750



* All cooktops with cut-out depth 492: min. 750