



BS471110
Combi-steam oven 400 series
Stainless steel-backed full glass door
Width 60 cm
Left-hinged
Controls at the top

Handleless door / automatic door opening
Fixed inlet and outlet water connection
Hot air 30 °C to 230 °C can be combined with chosen humidity level of 0%, 30%, 60%, 80% or 100%
Full surface grill behind glass ceramic for easy cleaning, combinable with circulated air up to 230 °C and steam
TFT touch display
Panel-free appliance with surface control module
Steaming without pressure
Electronic temperature control from 30 °C to 230 °C
Core temperature probe, removable
Net volume 43 litres
Energy efficiency class A

Heating methods
 Hot air + 100 % humidity.
 Hot air + 80 % humidity.
 Hot air + 60 % humidity.
 Hot air + 30 % humidity.
 Hot air + 0 % humidity.
 Full surface grill + circulated air.
 Full surface grill.
 Full surface grill level 1 + humidity.
 Full surface grill level 2 + humidity.
 Dough proofing.
 Defrosting.
 Regenerating.
 Low temperature cooking.

Handling
 Automatic door opening.
 Rotary knob and TFT touch display operation.
 Clear text display in 25 languages.
 Option to save individual recipes (incl. core temperature probe).
 Information key with use indicators.
 Side-opening door opens up to 180° angle.

Features
 Full surface grill 2000 W behind glass ceramic.
 Steam removal.
 Misting.
 Core temperature probe with automatic shut-off.
 Actual temperature display.
 Timer functions: cooking time, cooking time end, timer, stopwatch, long-term timer.
 Electronic boiling point detection.
 Capacity display for filter cartridge (if connected to GF 111 100 descaling system).
 48 W halogen light on the side.
 Hygienic stainless steel cooking interior.
 4 tray levels.

Safety
 Child lock.
 Safety shut-off.
 Cooled housing with temperature protection.

Cleaning
 Cleaning aid.
 Drying programme.
 Descaling aid.
 Grease filter, dishwasher-safe.

Planning notes
 Door hinge not reversible.
 No other electrical appliances should be installed above the BS.

Characteristics
Color / Material Front
 Stainless steel
Built-in / Free-standing
 Built-in
Door opening
 Lateral
Required niche size for installation (HxWxD)
 455 x 590 x 535
Dimensions of the product (mm)
 575 x 660 x 690
Dimensions of the packed product (HxWxD) (mm)
 575 x 660 x 690
Control Panel Material
 without panel
Door Material
 Stainless steel behind glass
Net weight (kg)
 45.153
Approval certificates
 CE, VDE
Length electrical supply cord (cm)
 EAN code
 4242006217112

Consumption and connection features
Electrical connection rating (W)
 Current (A)
 12

Voltage (V)
 220-240
Frequency (Hz)
 50

Plug type
 fixed connection, no plug

Approval certificates
 CE, VDE

Number of cavities (2010/30/EC)
 1

Usable volume (of cavity) - NEW (2010/30/EC)
 43

Energy efficiency class (2010/30/EC)
 A

Energy consumption per cycle conventional (2010/30/EC)

Energy consumption gas oven per cycle conventional (2010/30/EC)

Energy consumption per cycle forced air convection (2010/30/EC)
 0.69

Energy consumption gas oven per cycle forced air convection (2010/30/EC)

Energy efficiency index (2010/30/EC)
 94.5

2019-10-23
 Page 1

At no point may the outlet hose be positioned higher than the bottom edge of the appliance. The outlet hose must also be at least 100 mm lower than the appliance outlet (see drawing "drainage connection").

The outlet hose must not be longer than a maximum of 5 m.

The water connection (1) for the inlet hose must always be accessible and not located directly behind the appliance.

The connection of the outlet hose to the siphon (2) must not be directly behind the appliance and should be accessible.

The descaling system GF 111 100 (3) must be installed when connecting the appliance if the water hardness exceeds 7° dH.

The door panel surface of the appliance extends 47 mm from the furniture cavity.

If the handle is retrofitted, the outer edge of the door handle extends 94 mm from the furniture cavity.

Consider the overhang, incl. the door handle where applicable, when planning to open drawers next to the appliance.

When planning a corner solution, pay attention to the 90° door opening angle.

To achieve the 550 mm installation depth, the water hoses and connection cable needs to follow the slanted edge on the corner of the housing.

The mains socket needs to be planned outside of the built-in niche.

Connection

Total connected load 2.9 kW.

Only cold water connection.

Inlet hose 3.0 m with 3/4" (26,4 mm) connection.

Outlet hose (ø 25 mm) 3.0 m (HT-Hose).
 Plan a connection cable.

Color Variants

BS471110
Stainless steel-backed full glass door
Width 60 cm

Included accessories

1 x outlet hose 3m.
 1 x STS tray-GN2/3-punched-40 mm deep.
 1 x STS tray-GN2/3-unpunched-40 mm deep.
 1 x grid.
 1 x pluggable meat probe.
 1 x water inlet hose 3m.

Optional accessories

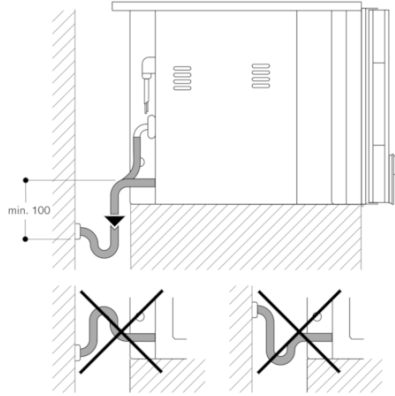
GN144230
Gastronorm insert, non-stick, GN 2/3
GN154230
Gastronorm insert, non-stick, GN 2/3
GN340230
Gastronorm roaster in cast aluminium.
GN410230
Gastronorm lid, stainless steel, GN 2/3.

Product Variants

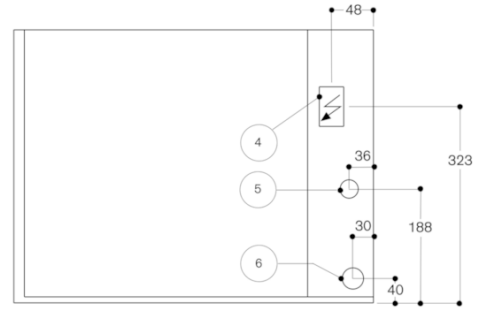
BS470110
Combi-steam oven 400 series
Stainless steel-backed full glass door
Width 60 cm
Right-hinged
Controls at the top
BS475110
Combi-steam oven 400 series
Stainless steel-backed full glass door
Width 60 cm
Left-hinged
Controls at the bottom

BS471110
 Combi-steam oven 400 series
 Stainless steel-backed full glass door
 Width 60 cm
 Left-hinged
 Controls at the top

Drainage connection

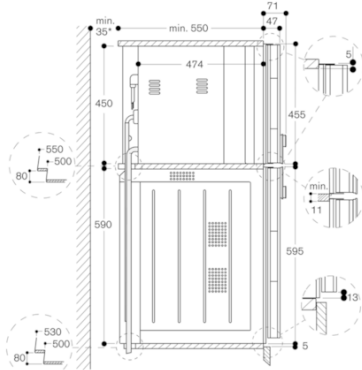


View from the back



- (4) electric terminal box
- (5) cold-water connection
- (6) water outlet

Side view of BS 474/475 above BO



* Only required if the water hoses for the BS steam oven cannot be accommodated in the corner recesses of the appliances.

