

**Color Variants**  
CI261113  
Stainless steel frame  
Width 60 cm

**CI261113**  
Induction cooktop 200 series  
Stainless steel frame  
Width 60 cm

**Sturdy stainless steel frame**  
**Oval roasting zone switches on automatically**  
**Sensor control with direct selection of output level**

#### Cooking zones

1 induction cooking zone ø 18 cm (1800 W, with booster 3100 W), automatically switches to a 18 x 28 cm roasting zone (2000 W, with booster 3700 W).  
1 induction cooking zone ø 21 cm (2200 W, with booster 3700 W).  
1 induction cooking zone ø 18 cm (1800 W, with booster 3100 W).  
1 induction cooking zone ø 15 cm (1400 W, with booster 2200 W).

#### Handling

Sensor control with direct selection of output level.  
Cooking zone marking.  
Electronic power control in 17 output levels.

#### Features

Booster function for each cooking zone.  
Cooking timer for up to 99 minutes.  
Short-term timer.  
Options menu.  
Power management.

#### Safety

Main switch.  
Operation indicator.  
Pot detection.  
2-stage residual heat indication.  
Child lock.  
Safety shut-off.

#### Planning notes

Operates with magnetic (induction) iron pots and pans only. For an optimal heat distribution, the use of sandwich bottom cookware is recommended. Immersion depth 55 mm. Intermediate shelf is recommended. Appliance must be fixed from underneath.  
Cooktop clamping range: 20 - 40 mm.  
Appliance weight: approx. 13 kg.

#### Connection

Total connected load 7.4 kW.  
Connecting cable 1.5 m without plug.

#### Characteristics

**Product name/family**  
Cooking zone ceramic

**Construction type**  
Built-in

**Energy input**  
Electric

**Total number of positions that can be used at the same time**  
4

**Type of control setting devices**  
Required niche size for installation (HxWxD)  
55 x 560-560 x 490-490

**Width of the product (mm)**  
590

**Dimensions of the product (mm)**  
55 x 590 x 520

**Dimensions of the packed product (HxWxD) (mm)**  
130 x 750 x 600

**Net weight (kg)**  
13.306

**Gross weight (kg)**  
14.6

**Residual heat indicator**  
Separate

**Location of control panel**  
Hob front

**Type of external control possibility**

**Basic surface material**  
Ceramic

**Color of surface**  
Black, Stainless steel

**Color of frame**  
Stainless steel

**Approval certificates**  
AENOR, CE

**Length electrical supply cord (cm)**  
150

**EAN code**  
4242006249052

#### Consumption and connection features

**Electrical connection rating (W)**  
7400

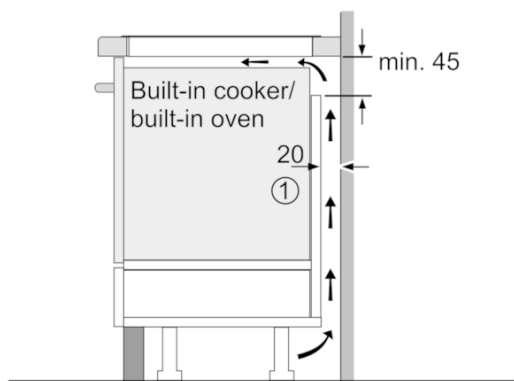
**Gas connection rating (W)**

**Current (A)**

**Voltage (V)**  
220-240

**Frequency (Hz)**  
50; 60

2020-01-21  
Page 1



①  
Ventilation gap must  
be present

All measurements in mm