



CX480100
Full surface induction cooktop 400 series
Frameless
Width 80 cm

One single big cooking surface
Free positioning of cookware
All sizes and formats of cookware can be used
TFT touch display for an intuitive control of all functions
Frameless for flush mounting

Cooking zones

One unique cooking surface of 2800 cm².
Up to 4 items of cookware can be placed simultaneously on the cooktop.

Handling

Easy to use colour graphic TFT touch display with use indications.
Electronic power control in 17 output levels.

Features

Booster function.
Individual pot detection.
Cooking timer for each cooking position.
Timer.
Information key with use indicators.
Power management.

Safety

Main switch.
Residual heat indicator.
Child lock.
Safety shut-off.
Display cleaning protection.

Planning notes

Operates with magnetic (induction) iron pots and pans only. For an optimal heat distribution, the use of sandwich bottom cookware is recommended. The wok pan WP 400 001 cannot be used with this appliance.
Installation is possible in worktops made of stone, synthetics or solid wood. Heat resistance and watertight sealing of the cut edges must be observed. Concerning other materials please consult the worktop manufacturer.
The bearing capacity and stability, in the case of thin worktops in particular, must be supported using suitable substructures. Take into account the appliance weight and additional loads. Intermediate shelf is recommended.
Appliance must be fixed from underneath.
Cooktop clamping range: 30 - 50 mm.
Joint width may vary due to dimensional tolerances of the glass ceramic cooktop and the worktop cut-out.
Appliance weight: approx. 27 kg.

Connection

Total connected load 7.2 kW.
Connecting cable 1.5 m without plug.

Characteristics

Product name/family
Cooking zone ceramic

Construction type
Built-in

Energy input
Electric

Total number of positions that can be used at the same time
4

Type of control setting devices
Required niche size for installation (HxWxD)
76 x 780-798 x 490-518

Width of the product (mm)
793

Dimensions of the product (mm)
76 x 793 x 513

Dimensions of the packed product (HxWxD) (mm)
130 x 1020 x 640

Net weight (kg)
26.703

Gross weight (kg)
28.0

Residual heat indicator
Separate

Location of control panel
Hob front

Type of external control possibility
Basic surface material

Color of surface
anthracite

Color of frame

Approval certificates
AENOR, CE

Length electrical supply cord (cm)
150

EAN code
4242006192013

Consumption and connection features

Electrical connection rating (W)
7200

Gas connection rating (W)

Current (A)

Voltage (V)
220-240

Frequency (Hz)
50; 60

2019-11-25
Page 1

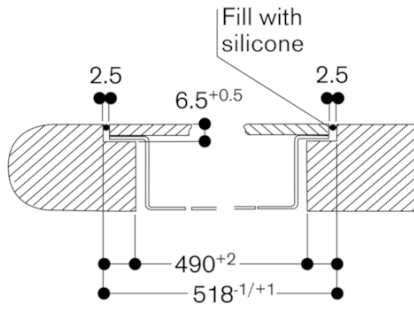
Color Variants

CX480100
Frameless
Width 80 cm

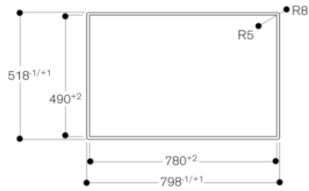
Optional accessories

GN232110
Teppan Yaki plate made of multi ply material

Cross-section



View from above



Longitudinal section

