



RW404261

RA050220:

Carbon airfilter

RA097600:

SbS Installation kit for RW404 and RW402

Built-in wine cooler 200 series

82 x 60 cm

RW404261

- Humidity level can be increased to avoid drying out of cork
- Two independantly controllable climate zones
- Extendable bottle trays in beech and aluminium
- Consistant temperatures with exact control from +5 °C to +20 °C
- 2 independently controllable climate zones

Consistent temperatures with exact control from +5 °C to +20 °C

Humidity control

Extendable bottle trays in beech and aluminium

LED lighting

Cushioned door closing system allowing a soft and controlled door closure

Lockable door

Capacity 34 bottles

Side-by-side installation possible with special accessory

Handling

Electronic temperature control with digital display.

Touch keys.

Presentation light option in each climate zone, dimmable.

Interior lighting with automatic dimming with opening and closing of door.

Technical Features

Dynamic cold air distribution.

Automatic defrosting with defrost water evaporation.

Cushioned door closing system integrated in door hinge.

1 activated charcoal air filter for both climate zones.

UV-protection.

Open-door and malfunction alarm.

Dust filter, dishwasher-safe.

Features

Net volume 94 litres.

Capacity 34 bottles (based on 0.75l standard bottles).

5 bottle trays, 3 of which are extendable.

Storage of magnum bottles possible.

LED lighting.

Consumption data

Energy consumption 144 kWh/year.

Noise level 38 dB (re 1 pW).

Planning notes

Flat hinge.

Door hinge right, reversible.

Height-adjustable feet.

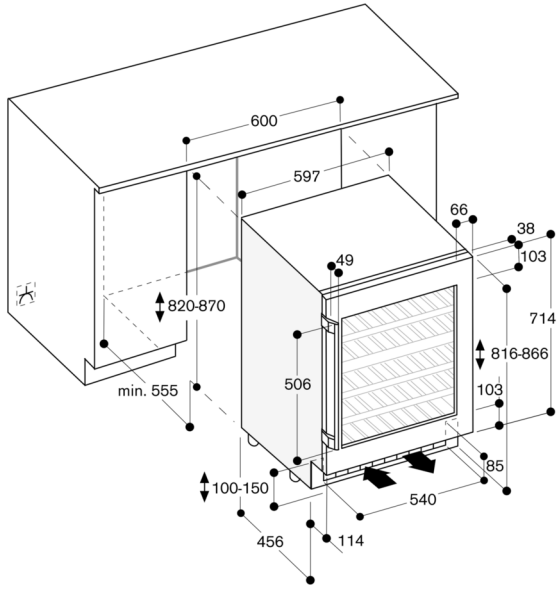
For integration next to a side wall a clearance of 150 mm hinge side is necessary.

The mains socket needs to be planned outside the built-in niche.

No transport/operation above 1.500 m sea level.

Connection

Connecting cable 2.0 m with plug.



Bottle storage

