



RW404264

RA050220:

Carbon airfilter

RA097600:

SbS Installation kit for RW404 and RW402

### Wine cooler with glass door 200 series

82 x 60 cm

[RW404264](#)

- Two independantly controllabile climate zones
- Consistant temperatures with exact control from +5 °C to +20 °C
- Humidity level can be increased to avoid drying out of cork
- Extendable bottle trays in beech and aluminium

- Capacity 34 bottles

2 independantly controllabile climate zones

Consistent temperatures with exact control from +5 °C to +20 °C

Humidity control

Extendable bottle trays in beech and aluminium

LED lighting

Cushioned door closing system allowing a soft and controlled door closure

Lockable door

Side-by-side installation possible with special accessory

### Handling

Electronic temperature control with digital display.

Touch keys.

Presentation light option in each climate zone, dimmable.

Interior LED lighting (3000 K) with automatic dimming with opening and closing of door.

### Technical Features

Dynamic cold air distribution.

Automatic defrosting with defrost water evaporation.

Cushioned door closing system integrated in door hinge.

1 activated charcoal air filter for both climate zones.

UV-protection.

Open-door and malfunction alarm.

Dust filter, dishwasher-safe.

### Features

Capacity 34 bottles (based on 0.75l standard bottles).

5 bottle trays, 3 of which are extendable.

Storage of magnum bottles possible.

LED lighting.

Total volume 94 litres.

### Consumption data

Energy consumption 138 kWh/year.

Noise level 34 dB (A) re 1 pW.

### Planning notes

Flat hinge.

Door hinge right, reversible.

Height-adjustable feet.

Door opening angle 115°, fixable at 95°.

For integration next to a side wall a clearance of 150 mm hinge side is necessary.

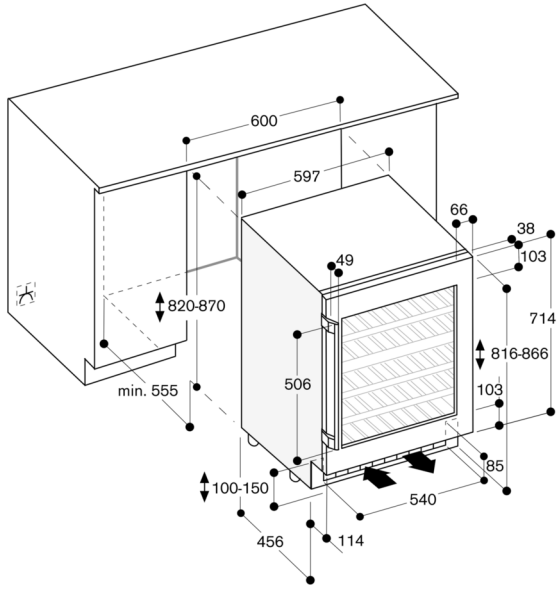
The mains socket needs to be planned outside the built-in niche.

No transport/operation above 1.500 m sea level.

### Connection

Total connected load 0.130 KW.

Connecting cable 2.0 m with plug.



Bottle storage

