



RW464361AU

RA093630:
Special display tray Alu (set of 3)

RA491631:
Extendable bottle tray RW 464

RA492630:
Extendable alu tray for RW464

RA420010:
Door lock for RW 414 and RW 464/466

RA421611:
SS doorframe 61cm / 24" left

RA421612:
SS doorframe 61cm / 24" right

RA425110:
Vario SS handle 1131 mm

RA460011:
Heating side kit 230V

RA460040:
Finger protection extra long

RA461616:
Toe kick 61cm/24"

400 series
212.5 x 60.3 cm
RW464361AU

- Three independent climate zones from 5° to 20°
 - High-quality interior for optimum wine presentation
 - Humidity control
 - Five preset lighting scenarios
 - 2 independently controllable climate zones
- Consistent temperatures with exact control from +5 °C to +20 °C
Humidity control
Stainless steel interior
Fully extendable bottle trays in beech and aluminium
Presentation light option
Low-vibration operation
Capacity 98 bottles

Handling

Electronic temperature control with digital display.

Technical Features

Dynamic cold air distribution.
Automatic defrosting with defrost water evaporation.
Activated charcoal air filter.
UV-protection.
Rest mode certified by Star-K.
Open-door and malfunction alarm.

Features

Net volume 390 litres.
Capacity 98 bottles (based on 0.75/l standard bottles).
10 fully extendable bottle trays, up to 4 of which for storage of magnum bottles.
Space for max. 13 bottle trays or shelves in aluminium.
Interior lighting with 2 ceiling spots in each climate zone, can be used as presentation light.

Consumption data

Energy consumption 1.02 kWh/24 h.
Noise level 42 dB (re 1 pW).

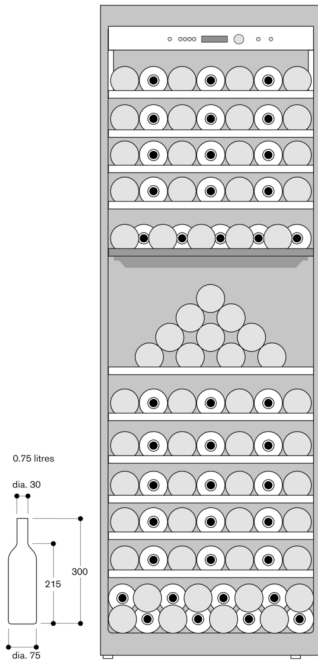
Planning notes

Flat hinge.
Door hinge right, reversible.
Door opening angle of 115°, fixable at 90°.
Max. door panel weight 72 kg.
No transport/operation above 1.500 m sea level.

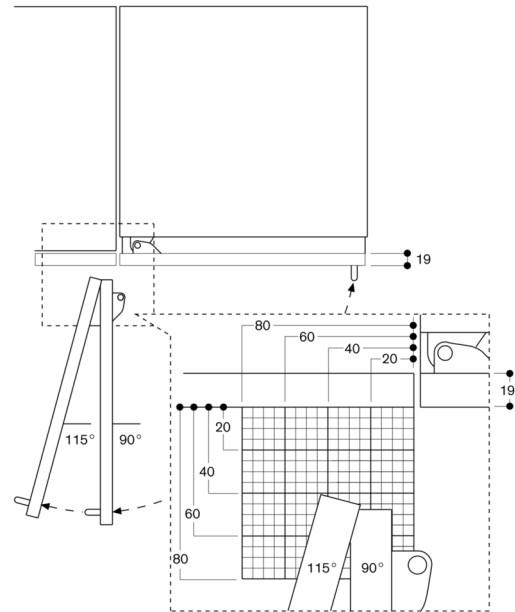
Connection

Total connected load 0.131 KW.
Connecting cable 3.0 m with plug.

Bottle storage

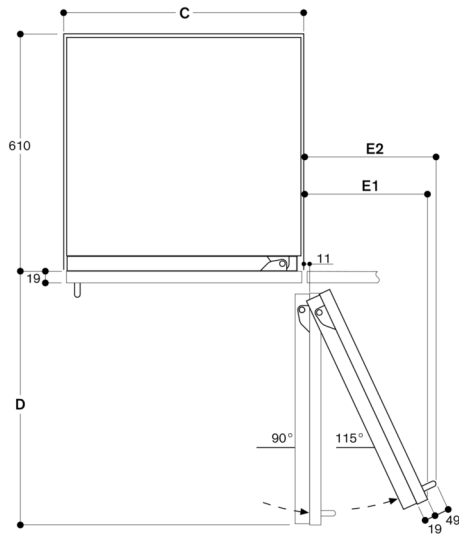


Door opening angle



The hinge travel and resulting clearances from adjacent furniture units and handles can be found from the drawing while allowing for the thickness of the front panel. In the drawing, a furniture unit front panel thickness of 19 mm was assumed.

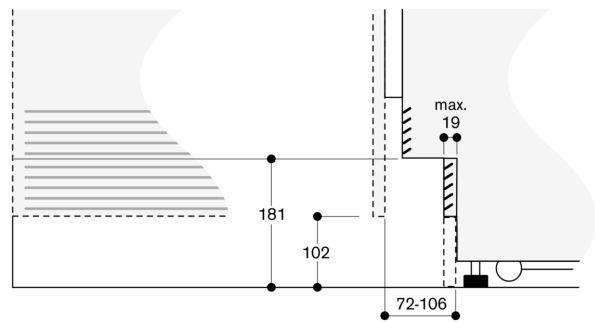
Wall clearance RB 472/RC/RF/RW



Recess width	D	E1	E2	
C	457 mm	525 mm	235 mm	265 mm
	610 mm	677 mm	299 mm	330 mm
	762 mm	830 mm	363 mm	395 mm

In the drawing, a unit front thickness of 19 mm and a Gaggenau unit handle of 49 mm were taken as a basis.

Base detail



Based on the standard height of the appliance, the height of the plinth is 102 mm. Maximum thickness of the plinth is 19 mm.

Bottle storage

