



#### Color Variants

**RY492504**

**With fresh cooling close to 0 °C**

**Fully integrated**

#### Included accessories

1 x egg box with lid.

1 x ice cube scoop.

**RY492504**

**Vario fridge-freezer combination 400 series**

**With fresh cooling close to 0 °C**

**Fully integrated**

**Niche width 91.4 cm, Niche height 213.4 cm**

**Cooling section with two doors and one fully extendable freezing drawer**

Stainless steel interior with solid anthracite aluminium elements  
Warm white and glare-free LED light spots

Opening assist for door with two options:

1. Push-to-open function for integration into handleless furniture front

2. Pull-to-open function to facilitate opening the door using a handle

Flat stainless steel inner doors

Almost invisible rail system for shelves and door racks for flexible positioning

Solid anthracite aluminium door racks

1 fresh cooling drawer close to 0 °C

with manually adjustable temperature and one fresh cooling drawer with

manually adjustable humidity

Integrated ice maker with fixed inlet water connection

1 asymmetrically split glass shelf, height adjustable

Fully extendable freezer drawer with practical divider in anthracite

TFT touch display

#### Handling

TFT touch display operation.

Clear text display.

#### Technical Features

Dynamic cold air distribution.

Automatic defrosting with defrost water evaporation.

Activated charcoal air filter.

Rest mode certified by Star-K.

When rest mode is active, the appliance can only be opened using a handle.

Open-door and malfunction alarm.

#### Cooling

No-Frost technology with fast cooling.

Temperature adjustable from +2 °C to +8 °C.

3 safety glass shelves, white glass, 2 of which are individually adjustable in height.

1 asymmetrically split safety glass shelf, with manual height adjustment.

Flat door rail system with fully flexible positioning of door racks.

6 height-adjustable door racks, 2 of which are extra deep.

#### Fresh cooling close to 0 °C

1 fully extendable fresh cooling drawer close to 0 °C with transparent front, illuminated.

Temperature can be adjusted manually.

Ideal for meat, fish and poultry.

Net volume 34 litres.

#### Fresh cooling

1 fully extendable fresh cooling drawer with transparent front, illuminated.

Humidity can be adjusted manually.

Ideal for fruit and vegetables.

#### Freezing

No-frost technology with fast freezing at -30 °C.

Temperature adjustable from -14 °C to -24 °C.

4-star freezer compartment.

Freezing capacity 16 kg/24 h.

Storage time after a malfunction 17 h.

2 fully extendable drawers.

Interior lighting with 2 LED light spots, warm white light.

#### Ice maker

#### Characteristics

**Built-in / Free-standing**

Built-in

**Number of compressors**

2

**Number of independent cooling systems**

2

**Width of the product**

908

**Height**

2125

**Depth of the product**

608

**Net weight**

219,581

**Required niche size for installation (HxWxD)**

2134.0 x 914.0 x 610

**Door panel options**

Not possible

**Door hinge**

left and right

**Number of Adjustable Shelves in fridge compartment**

2

**Shelves for Bottles**

No

**Frost free system**

Interior ventilator

Yes

**Reversible Door Hinge**

No

**Length electrical supply cord**

300

**Noise level**

41

**Multi-Flow Air Tower**

Yes

**Fast cooling switch**

Yes

**Fast freezing switch**

No

**Carbon Air Filter**

No

**Temperature Controlled Drawer**

No

**Humidity Control Drawer**

Yes

**Number of Door Bins - Refrigerator**

6

**Door bin adjustability - Refrigerator**

No

**Tilt-out door bins in fridge**

No

**Number of Gallon storage**

2

**No. of shelves in fridge**

3

**Number of shelves - Freezer**

**Shelf Adjustability - Freezer**

No

**Capacity of Water Tank**

**Connection Rating**

300

**Fuse protection**

10

**Voltage**

220-240

**Frequency**

50-60

**Energy consumption**

**Freezing capacity**

**Energy efficiency rating**

**Energy consumption annual**

**Refrigerator Net capacity**

**Freezer Net capacity**

0

**Frost free system**

**Freezing capacity)**

0

**Storage Period in Event of Power Failure (h)**

17

**Approval certificates**

CE, VDE

**Universal Product Code**

**Color / Material body**

**Door panel options**

Not possible

**Noise level**

41

Integrated in the freezer compartment, with fixed inlet water connection.

Particle filter for water inlet, integrated in ventilation grill area.

Can be switched off.

Ice cube production approx. 1.6 kg/24 h.

Removable ice storage container with approx. 3 kg capacity.

#### Consumption data

3.5 stars energy rating

Energy consumption 436 kWh/year.

Noise level 41 dB (re 1 pW).

#### Planning notes

Flat hinge.

Door opening angle of 115°, fixable at 90°.

Max. door panel weight:

Each door 67 kg.

Drawer 10 kg.

Shut-off valve for water connection must be planned next to the appliance and always be accessible.

If the water pressure exceeds 0.8 MPa (8 bar), connect pressure relief valve between water tap and hose set.

#### Connection

Total connected load 0.300 KW.

Connecting cable 3.0 m, detachable.

Water inlet.

Supply hose 2.9 m with 3/4 " connection.

Water pressure 2 to 8 bar.

**GAGGENAU**

RY492504

Vario fridge-freezer combination 400 series

With fresh cooling close to 0 °C

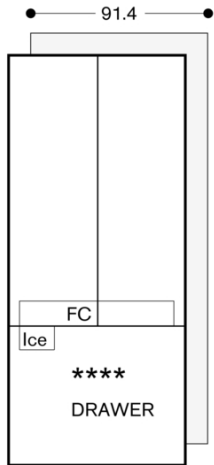
Fully integrated

Niche width 91.4 cm, Niche height 213.4 cm

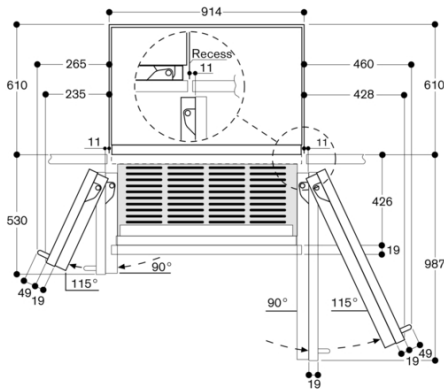
Cooling section with two doors and one fully extendable freezing drawer

2021-12-20

Page 2

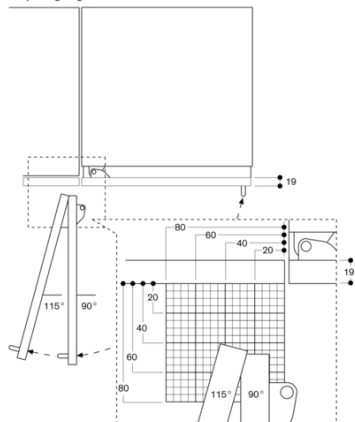


Wall clearance RB 492/RV 492

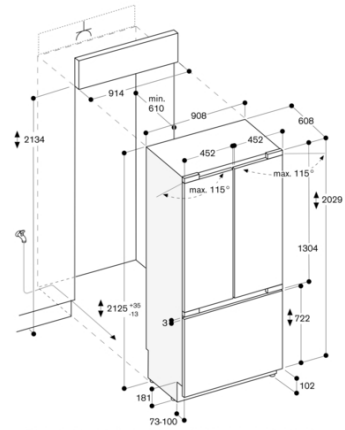


In the drawing, a unit front thickness of 19 mm and a Gaggenau unit handle of 49 mm were taken as a basis.

Door opening angle

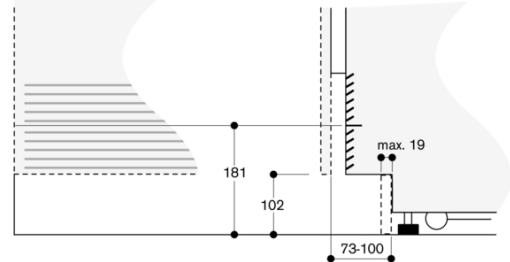


The hinge travel and resulting clearances from adjacent furniture units and handles can be found from the drawing while allowing for the thickness of the front panel. In the drawing, a furniture unit front panel thickness of 19 mm was assumed.



The maximum door panel dimensions are based on a clearance of 3 mm.

Base detail



Based on the standard appliance height, the height of the plinth is 102 mm. Maximum plinth thickness 19 mm.

