



#### Color Variants

VG231214AU  
Stainless steel control panel  
Width 28 cm

#### Optional accessories

VD201014  
Brushed stainless steel appliance cover  
WP400001  
Wok pan made of multiple-layer material

#### Installation Accessories

VV200014  
Stainless steel connection strip for combination with further Vario cooktops

VG231214AU  
Vario gas wok 200 series  
Stainless steel control panel  
Width 28 cm

Can be combined with the cooktops of the Vario 200 series to a harmonic unity  
Generous control panel for comfortable and secure operation  
Multi-ring burner of solid, heat-resistant brass as used in professional kitchen

**Cooking zones**  
1 three-ring wok burner with 18 MJ/h

**Handling**  
One-handed operation.  
Electric ignition.

**Features**  
Cast iron pan support.  
Brass burner rings.

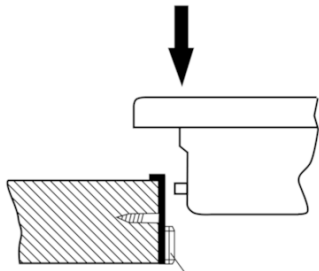
**Safety**  
Thermoelectric safety pilot.  
Natural gas 10 mbar

**Planning notes**  
Appliance dimensions: (W x D) 288 mm x 523 mm  
Installation dimensions: (H x W x D) 88 mm x 268 mm x 490 mm  
Maximum drawer depth 42 cm.  
Appliance can be snapped into the worktop from above.  
A minimum clearance of at least 150 mm from adjacent heat-sensitive furniture or contact surfaces must be observed or thermal insulation fitted.  
With a total connected load of more than 11 kW local regulations concerning room ventilation, room size and combination of extraction or recirculation hoods must be observed.  
Minimum clearance between gas cooktop(s) with more than 39,6 MJ/h (11kW) and ventilation hood 70 cm.  
Appliance weight: approx. 9 kg.

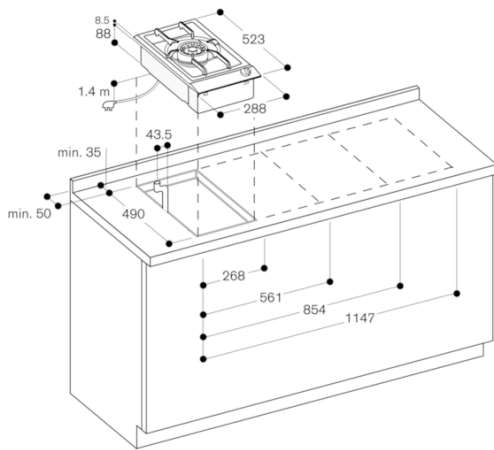
**Connection**  
Total connected load gas 18.0 MJ/h  
Connecting cable 1.4 m with plug.  
Total connected load electric 1.0 W.

**Characteristics**  
Product name/family  
Vario/Domino gas hob w control  
Built-in / Free-standing  
CONSTR\_TYPE.Built-in  
Energy input  
Gas  
Total number of positions that can be used at the same time  
1  
Required niche size for installation (HxWxD)  
88 x 268 x 490  
Width of the product (mm)  
288  
Dimensions of the product (mm)  
88 x 288 x 523  
Dimensions of the packed product (HxWxD) (mm)  
230 x 410 x 600  
Net weight (kg)  
8.745  
Gross weight (kg)  
10.0  
Residual heat indicator  
without  
Location of control panel  
Basic surface material  
brushed stainless steel  
Color of surface  
Stainless steel  
Color of frame  
Stainless steel  
Approval certificates  
Australia Standards, Australia Standards  
Length electrical supply cord (cm)  
140  
EAN code  
4242006261665

**Consumption and connection features**  
Electrical connection rating (W)  
1  
Gas connection rating (W)  
5000  
Current (A)  
10  
Voltage (V)  
220-240  
Frequency (Hz)  
60; 50  
2020-01-05  
Page 1



Mounting rail  
(rear and front)



### Gas connection

