



VG264214AU
Vario gas cooktop 200 series
Stainless steel control panel
Width 60 cm

Up to 9.4 KW on 4 burners
Can be combined with the cooktops of the Vario 200 series to a harmonic unity
Generous control panel for comfortable and secure operation
Solid smooth-surface cast iron pan supports for easy and safe positioning of cookware

Cooking zones
2 high output burners (560 – 2800 W), suitable for pots up to max. ø 22 cm.
2 standard burners (380 – 1900 W), suitable for pots up to max. ø 22 cm.

Handling
Control knobs with cooking zone and output level markings.
One-handed operation.
Electric ignition.

Features
Two-part cast iron pan support with continuous pot surface.
Enamelled burner cover.

Safety
Thermoelectric safety pilot.
Natural gas 10 mbar

Planning notes
Appliance dimensions: (W x D) 580 mm x 523 mm
Installation dimensions: (H x W x D) 55 mm x 560 mm x 490 mm
Special nozzles can be ordered as spare parts.
Air intake from above.
No intermediate shelf required.
Appliance can be snapped into the worktop from above.
Securing rail on the rear and the front.
A minimum lateral clearance of at least 150 mm from adjacent heat-sensitive furniture or contact surfaces must be observed or thermal insulation fitted.
With a total connected load of more than 39.6 MJ/h local regulations concerning room ventilation, room size and combination of extraction or recirculation hoods must be observed.
Minimum clearance between gas cooktop(s) with more than 39.6 MJ/h (11kW) and ventilation hood 70 cm.
Appliance weight: approx. 13 kg.

Connection
Total connected load gas 34.8 MJ/h
Total connected load electric 1.0 W.
Connecting cable 1.4 m with plug.

Characteristics
Product name/family
gas hob w integrated controls
Built-in / Free-standing
CONSTR_TYPE.Built-in
Energy input
Gas
Total number of positions that can be used at the same time
4
Required niche size for installation (HxWxD)
55 x 560 x 490
Width of the product (mm)
580
Dimensions of the product (mm)
55 x 580 x 523
Dimensions of the packed product (HxWxD) (mm)
260 x 610 x 780
Net weight (kg)
13.232
Gross weight (kg)
15.9
Residual heat indicator
without
Location of control panel
Basic surface material
brushed stainless steel
Color of surface
Stainless steel
Color of frame
Stainless steel
Approval certificates
Australia Standards, Australia Standards
Length electrical supply cord (cm)
140
EAN code
4242006261801

Consumption and connection features
Electrical connection rating (W)
1
Gas connection rating (W)
9400
Current (A)
10
Voltage (V)
220-240
Frequency (Hz)
50; 60

2020-02-01
Page 1

Color Variants

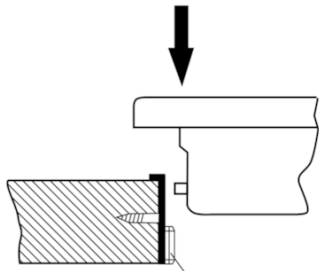
VG264214AU
Stainless steel control panel
Width 60 cm

Optional accessories

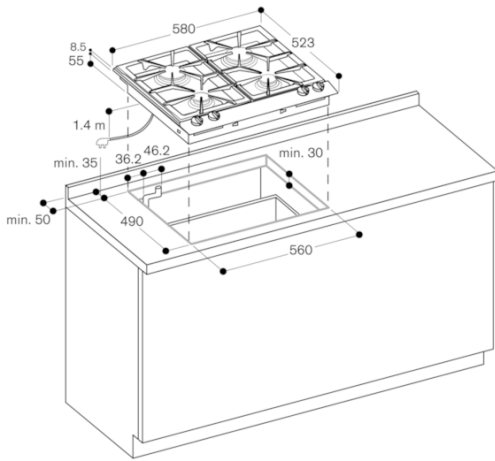
VD201014
Brushed stainless steel appliance cover

Installation Accessories

SH260000
Hinge holder for fitting the appliance cover
VV200014
Stainless steel connection strip for combination with further Vario cooktops



Mounting rail
(rear and front)



Gas connection

