



**VG295220AU**  
**Gas cooktop 200 series**  
**Black anodized control panel in aluminium**  
**Width 90 cm**  
**Wok burner with up to 18MJ**

Control panel for comfortable and secure operation  
 Mechanical power level regulation for 9 power levels, with exact setting and reproduction of flame size  
 Multi-ring burner of solid, heat-resistant brass as used in professional kitchen  
 Solid smooth-surface cast iron pan supports

#### Cooking zones

1 multi-ring wok burner with 18 MJ/h, suitable for pots up to max. ø 32 cm.  
 2 two-ring high output burners with 14.4 MJ/h, suitable for pots up to max. ø 28 cm.  
 2 two-ring standard burners with 7.2 MJ/h, suitable for pots up to max. ø 24 cm.

#### Handling

Control knobs with illuminated ring.  
 Integrated control panel.  
 One-handed operation.  
 Electric ignition.

#### Features

Three-part cast iron pan support with flat, continuous pot surface.  
 Brass burner ring(s).

#### Safety

Thermoelectric safety pilot.  
 Residual heat indicator.  
 Operation indicator.

#### Planning notes

Appliance can be snapped into the worktop from above.  
 Rear panel and wall trims must be heat-resistant and consist of a non-flammable material.  
 Installation in a 90 cm wide lower cabinet is required.  
 A minimum lateral clearance of at least 300 mm from adjacent heat-sensitive furniture or contact surfaces must be observed or thermal insulation fitted.  
 With a total connected load of more than 39.6 MJ/h local regulations concerning room ventilation, room size and combination of extraction or recirculation hoods must be observed.  
 Minimum clearance between gas cooktop(s) with more than 39.6 MJ/h (11kW) and ventilation hood 70 cm.  
 No intermediate shelf required.  
 Appliance weight: approx. 29.

#### Connection

Total connected load gas 61.2 MJ/h  
 Total connected load electric 10.0 W.  
 Connecting cable 1.7 m with plug.  
 Natural gas 10 mbar

#### Characteristics

**Product name/family**  
 gas hob w integrated controls

**Built-in / Free-standing**  
 Built-in

**Energy input**  
 Gas

**Total number of positions that can be used at the same time**  
 5

**Required niche size for installation (HxWxD)**  
 106 x 885 x 492

**Width of the appliance**  
 914

**Dimensions**  
 106 x 914 x 510

**Dimensions of the packed product (HxWxD) (mm)**  
 290 x 700 x 1010

**Net weight (kg)**  
 28.579

**Gross weight (kg)**  
 30.9

**Residual heat indicator**

**Location of control panel**

**Basic surface material**  
 brushed stainless steel

**Color of surface**  
 Stainless steel

**Color of frame**  
 Stainless steel

**Approval certificates**  
 Australia Standards, Australia Standards

**Length electrical supply cord (cm)**  
 170

**EAN code**  
 4242006280444

**Electrical connection rating (W)**  
 10

**Gas connection rating (W)**  
 17000

**Current (A)**  
 10

**Voltage (V)**  
 220-240

**Frequency (Hz)**  
 60; 50

#### Consumption and connection features

2021-08-02  
 Page 1

#### Color Variants

**VG295220AU**  
**Black anodized control panel in aluminium**  
**Width 90 cm**

#### Included accessories

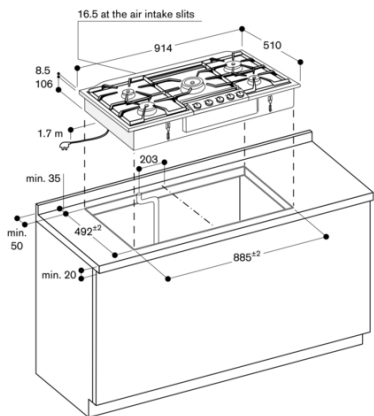
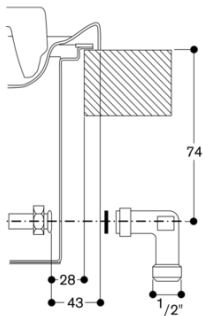
1 x WOK attachment ring.

#### Optional accessories

**WP400001**  
**Wok pan made of multiple-layer material**

VG295220AU  
Gas cooktop 200 series  
Black anodized control panel in  
aluminium  
Width 90 cm  
Wok burner with up to 18MJ  
2021-08-02  
Page 2

Gas connection



Minimum distance from the appliance cut-out to the side wall 300 mm.