



VL200120

LS041001:
200ser Air Duct Part

AD410040:
Flexibel connecting piece DN 150 flat

AD851041:
VL Connecting piece flat 150mm

VV200010:
Connecting strip series 200 ss

VV200020:
Connecting strip series 200 black

Vario downdraft ventilation 200 series 15 cm, Black VL200120

- The power levels are regulated automatically
 - Highly efficient ventilation
 - Advanced interior performance
 - Motorless, can be combined with Gaggenau BLDC remote fan units
 - For surface installation with a visible edge or for flush installation
 - Can be combined with the cooktops of the Vario 200 series to a harmonic unity
- Highly efficient ventilation system at the cooktop integrated in the worktop
- Function for automatic, sensor-controlled power adjustment depending on the build-up of cooking vapours
- Minimal planning and easy installation
- Air extraction or air recirculation system

Output

Power levels depend on the remote fan unit.
Low-noise system with the motor AR 410 110

Features

Control knobs with illuminated ring.
3 electronically controlled power levels and 1 intensive mode.
Automatic sensor-controlled or manual run-on function.
Large-scale metal grease filter with high grease absorption.
Removable, dishwasher-safe grease filter unit.
Grease filter and activated charcoal filter saturation indicator.
Airflow-optimised interior for efficient air circulation.
Interval ventilation, 6 min.
Enamelled ventilation grille, dishwasher-safe.
Air exhaust bend included in delivery.
Overflow 250 ml capacity.

Consumption data

Consumption data is referred to a configuration with the remote fan unit AR 403 122.
Energy consumption 48.3 kWh/year.
Sound level min. 56 dB / max. 71 dB normal mode.

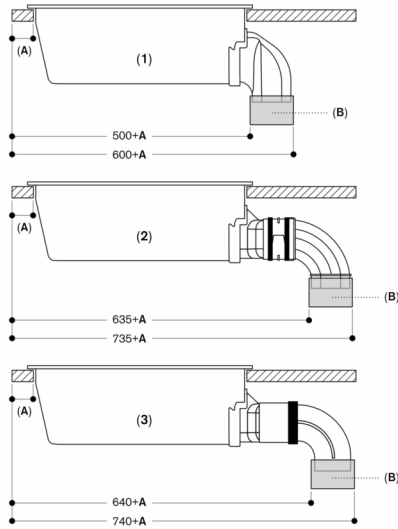
Planning notes

For each VL one remote fan unit is recommended.
The equivalent ducting length to ensure good performance is L_{max} 26 m.
For optimum performance in air recirculation we recommend an outflow surface area of at least 440 cm².
Air recirculation is not recommended in combination with Vario electric grill.
If installed next to gas appliances, the ventilation moulding LS 041 001 is recommended to ensure maximum performance of the cooktop.
Maximum cooktop width between two VL: 80 cm.
When having installed the ventilation moulding LS 041 001 the wok pan WP 400 001 can not be used.

When installing a ventilation hood with air extraction mode and a chimney-vented fireplace, the power supply line of the ventilation appliance needs a suitable safety switch.

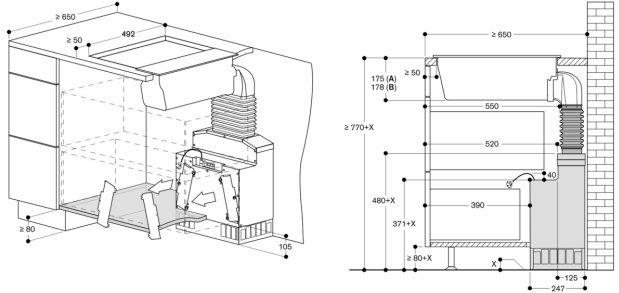
Connection

Connecting cable 1.7 m between VL and remote fan unit.

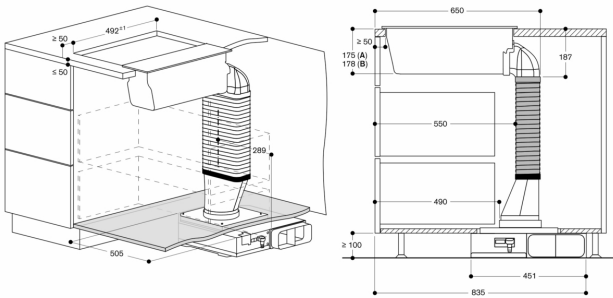


- 1: Direct installation
- 2: Installation with extension for extra deep worktop and plastic ducting:
 - AD B51 041 (connecting piece for extension)
 - AD B57 040 (flat duct connecting piece, plastic)
 - AD B57 030 (flat duct bend, 90°, vertical, plastic)
- 3: Installation with extension for extra deep worktop and metal ducting:
 - AD B51 041 (connecting piece for extension)
 - AD B54 000 (flat duct connecting piece, metal)
 - AD B54 030 (flat duct bend, 90°, vertical, metal)

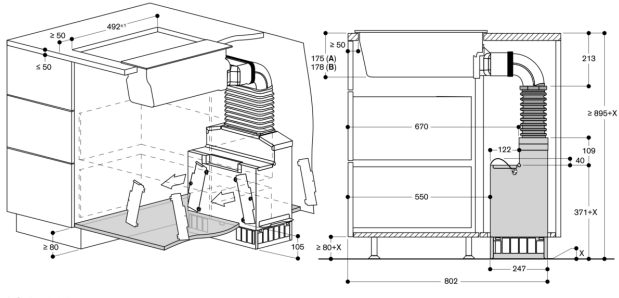
A: ≥ 50mm
 B: Connecting piece
 measurements in mm



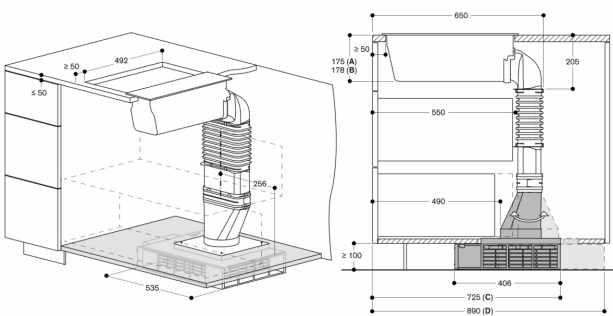
A: Surface mounting
 B: Flush mounting (only VL 414)
 Not recommended for non-thermally insulated outer wall or floor (U ≥ 0.5 W/m²K)
 Measurements in mm



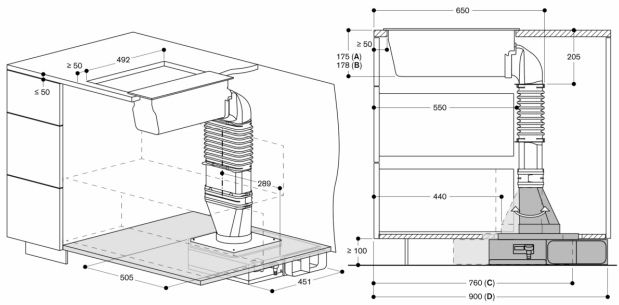
A: Surface mounting
 B: Flush mounting (only VL 414)
 measurements in mm



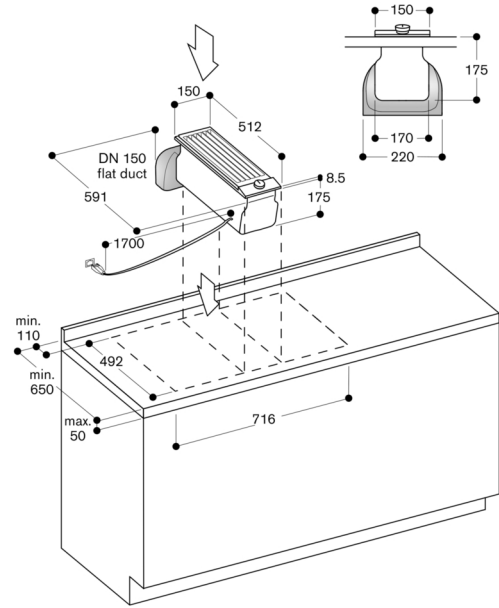
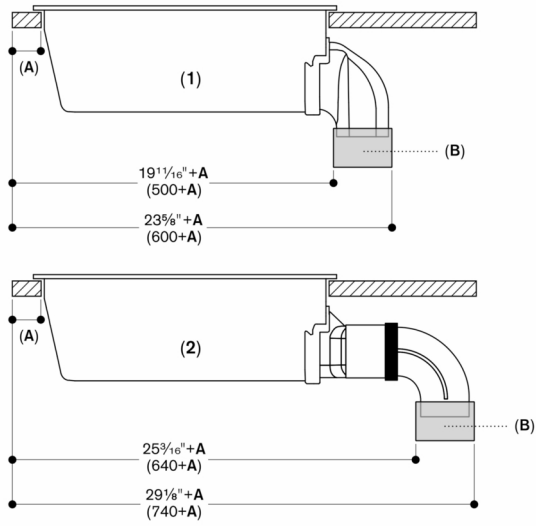
A: Surface mounting
 B: Flush mounting (only VL 414)
 Not recommended for non-thermally insulated floor (U ≥ 0.5 W/m²K)
 Measurements in mm



A: Surface mounting
 B: Flush mounting (only VL 414)
 C: Filter access from the front
 Connecting piece flat/round towards the front
 D: Filter access from the back
 Connecting piece flat/round towards the back
 Not recommended for non-thermally insulated floor (U ≥ 0.5 W/m²K)
 Measurements in mm



A: Surface mounting
 B: Flush mounting (only VL 414)
 C: Exhaust to the left. Flat/round connecting piece towards the front
 D: Exhaust to the right. Flat/round connecting piece towards the back
 measurements in mm

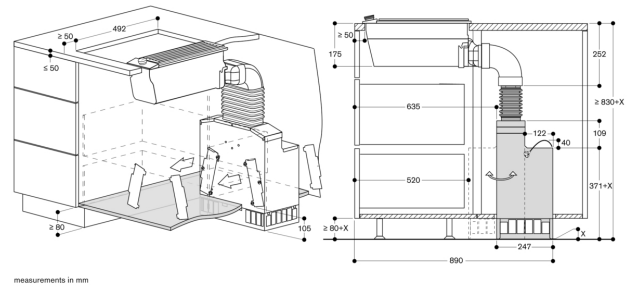
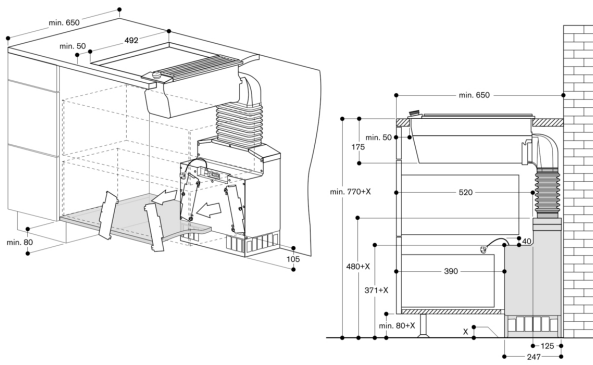


- 1: Direct installation
- 2: Installation with extension for extra deep worktop and metal ducting:
 - AD 851 041 (connecting piece for extension)
 - AD 854 000 (flat duct connecting piece, metal)
 - AD 854 030 (flat duct bend, 90°, vertical, metal)

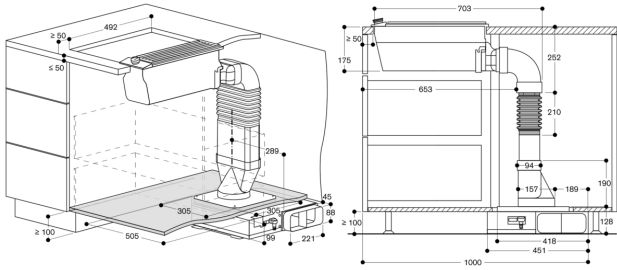
A: $\geq 1\frac{15}{16}$ " (50)

B: Connecting piece

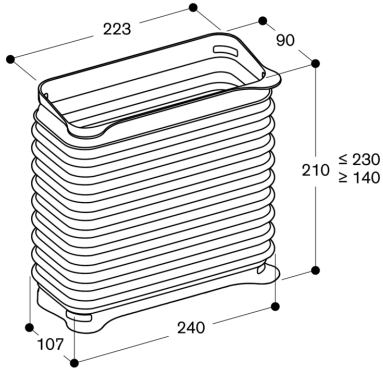
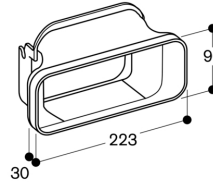
measurements in inches (mm)



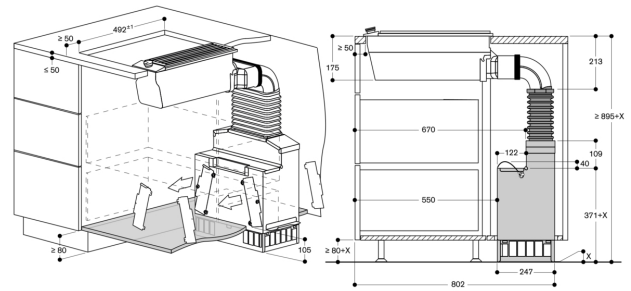
measurements in mm



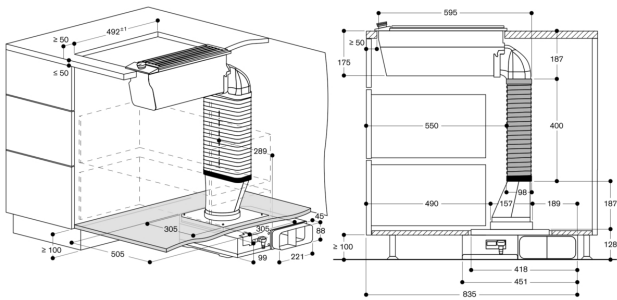
measurements in mm



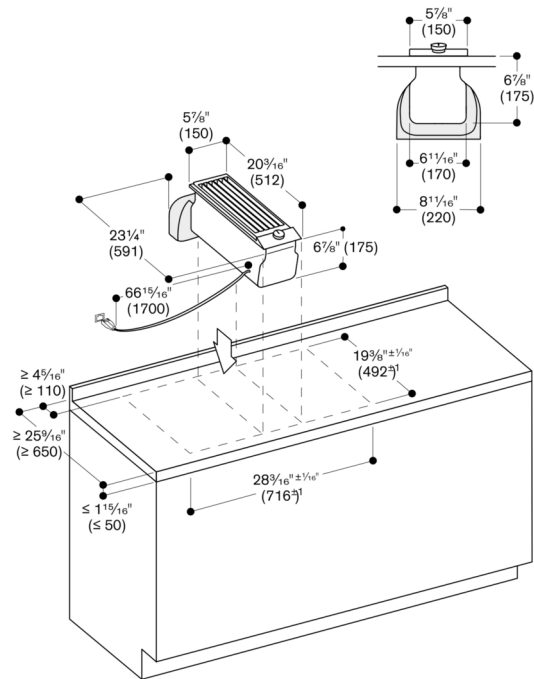
measurements in mm



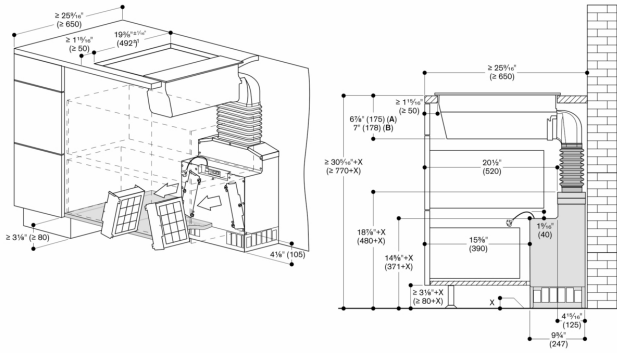
measurements in mm



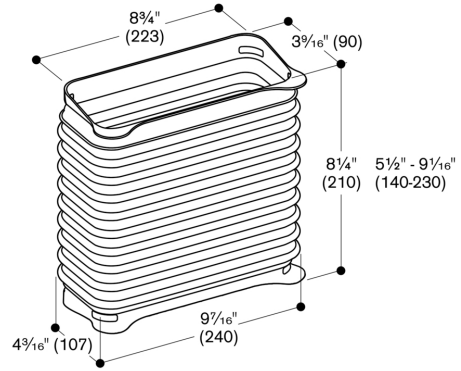
measurements in mm



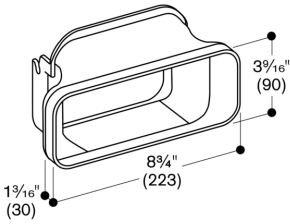
measurements in inches (mm)



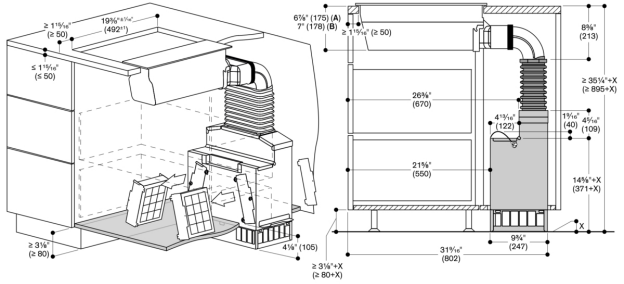
A. Surface mounting
B. Flush mounting (only VL414)
measurements in inches (mm)



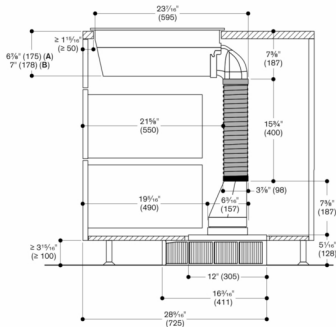
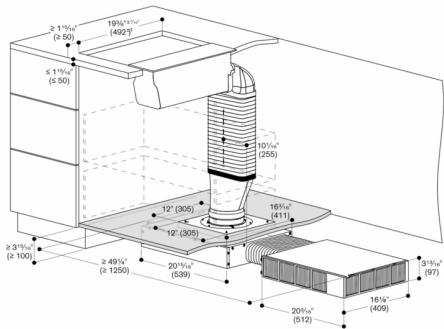
measurements in inches (mm)



measurements in inches (mm)



A. Surface mounting
B. Flush mounting (only VL414)
measurements in inches (mm)



A. Surface mounting
B. Flush mounting (only VL414)
measurements in inches (mm)