



VR230120

1 x cast iron grill
1 x lava stones
1 x cleaning brush

LV030000:
Lava stones

VD200020:
Black cover series 200

VV200010:
Connecting strip series 200 ss

VV200020:
Connecting strip series 200 black

Vario electric grill 200 series

28 cm

VR230120

- Two cooking zones combined as one large zone
- Exact temperature control up to 240 °C
- Open cast grill, lava stones
- Can be combined with the cooktops of the Vario 200 series to a harmonic unity

Control panel for comfortable and secure operation

2 zones, separately controlled

Open cast grill, lava stones

Handling

Control knobs with illuminated ring.

Integrated control panel.

9 switching levels.

Features

2 separately controllable swing-out grilling elements (1500 W).

Join function.

Cast grill.

Stainless steel lavastone container and grease collecting insert, dishwasher-safe.

Safety

Pre-heat and residual heat indicator.

Operation indicator.

Safety shut-off.

Planning notes

Appliance can be snapped into the worktop from above.

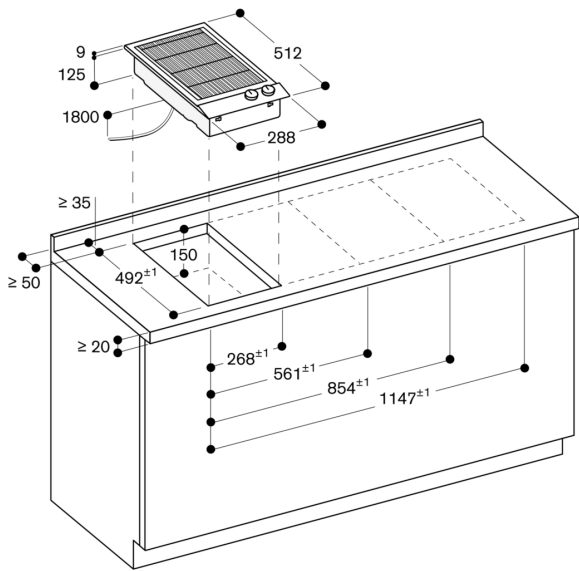
A minimum clearance of at least 200 mm from adjacent heat-sensitive furniture or contact surfaces must be observed or thermal insulation fitted.

Appliance weight: approx. 17.

Connection

Total connected load 3.0 KW.

Connecting cable 1.80 m without plug.



measurements in mm