



WS462102

**Warming drawer 400 series**  
**60 x 29 cm, Gaggenau Anthracite**  
**WS462102**

**– Home Connect**

– Handleless drawer

Cushioned closing system

Hygienic stainless steel interior with glass bottom

Direct temperature selection in the range 30 °C to 80 °C (glass surface)

For slow cooking, dough proofing, herbs and fruits drying, chocolate melting and defrosting

**Heating methods**

Slow cooking.

Keeping meals warm.

Warming ovenware.

Cups and plates warming.

Direct temperature control.

Personalisation function via Home Connect.

16 additional programs via Home Connect.

**Handling**

Touch key operation.

Recessed grip at the front bottom of the drawer.

**Features**

Net volume 54 litres.

Volume capacity: Dinner service for 12 people including ø 27 cm plates and soup bowls, additional bowls and a serving dish depending on size.

Capacity load max. 25 kg.

Usable interior dimensions

W547 mm x H 241 mm x D 410 mm.

Heating under glass bottom for easy cleaning.

Heating system for even heat distribution and stable cavity temperature.

Status display, visible in the glass front.

Glass bottom made of safety glass.

Heating timer via Home Connect.

Specific recipes via Home Connect.

Home network integration for digital services (Home Connect) wireless via WiFi.

The use of the Home Connect functionality depends on the Home Connect services, which are not available in every country. For further information please check: [home-connect.com](http://home-connect.com).

**Planning notes**

The panel surface of the appliance extends 47 mm from the furniture cavity.

Installation of BS/BM/CM directly above WS in 59 cm niche without intermediate floor.

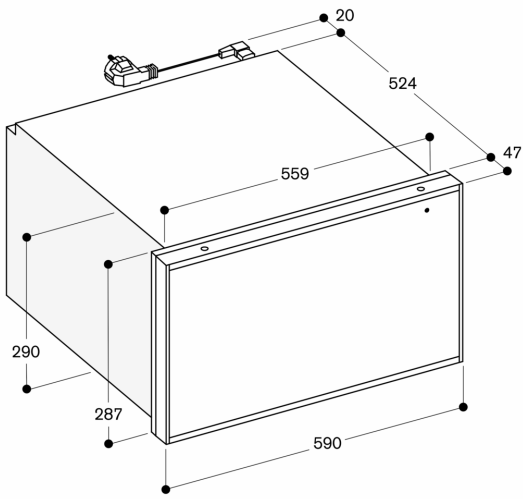
The socket can be planned behind the appliance.

**Connection**

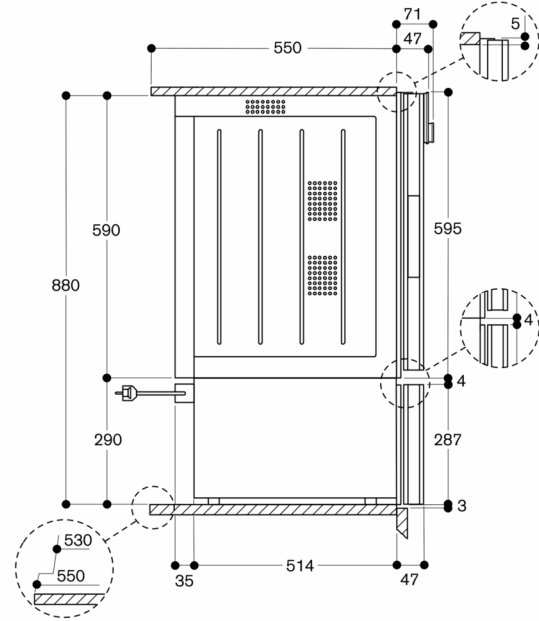
Total connected load 0.82 KW.

Connection cable 1.8 m, detachable.

Side view of WS 462 below BO



Measurements in mm



Measurements in mm