



DF250762
Dishwasher 200 series
Fully integrated
Height 81.7 cm, 34 1/8"

6 programs with Aqua sensor and 2 cycle options, such as Power and Intensive.
 TFT display for intuitive handling of all functions
 Quiet: 44 dB
 Energy star qualified
 Aqua stop

Handling

TFT display indicating remaining or end time, refill for salt and rinsing agent, inflow of water.
 Touch key operation.
 Information key with use indicators.
 Sanitized indicator in the control panel.
 Time delay up to 24 hours.
 Visual and acoustic end of programme indicator.
 Info-Light.

Technical Features

Bright interior lighting.
 Glass protection.
 Aqua sensor.
 Load sensor.
 Automatic detergent function.
 Yes
 Flow-Through Water Heater™
 Triple filter system.
 Soft lock.
 Aqua stop.
 Home network integration for digital services (Home Connect) wireless via WiFi.
 The use of the Home Connect functionality depends on the Home Connect services, which are not available in every country. For further information please check: home-connect.com.

Programmes

Features

Flexible basket system.
 Cutlery drawer.
 Upper basket: Rackmatic with 3 levels, adjustable in height up to 5 cm. 2 folding spines. 2 folding racks.
 Cutlery basket.
 Maximum dish sizes (upper/lower basket) 21/25, 18.5/27.5 or 16/31 cm respectively.
 14 place setting capacity.
 Maximum glass loading capacity 23 wine glasses.

Consumption data

Total annual energy consumption 269 kWh.
 From 2.9 gallons water.
 Noise level 44 dB (re 1 pW).

Planning notes

Height-adjustable feet.
 Appliance plinth recess 100 mm (see drawing).
 Rear feet adjustable at front.
 Door weight up to 8.5 kg.
 Door panel dimension dependent on plinth height of kitchen furniture.

Connection

Total connected load <201300convert(kW)>.
 Connecting cable pluggable.
 Water connection with 3/4" screw joint.
 Connection to hot or cold water possible.

Product Features

Upper Rack
 mid
Adjustable upper rack
 Rackmatic 3-stage
Upper rack cup shelf
Lower Rack
 mid
Lower rack cup shelf
 2

3rd Rack
 3rd Rack 1.0

Cutlery Basket
 Standard

Accessories Parts
 baking-sheet spray head grey

Optional accessories
 DA042030, DA043000, DA043060, GZ010011

Consumption and connection features

UPC code
 825225956358

Variant color
 Not applicable

Panel ready
 Yes

Alternative colors available

Silence level (dBA)

Watts (W)
 1440

Current (A)
 12

Volts (V)
 120

Frequency (Hz)
 60

Energy Consumption (kWh/yr)
 269

Energy Star® qualified
 Yes

Plug type
 Nema5-15P

Required cutout size (HxWxD) (in)
 x 32 3/16" x 23 9/16"

Required cutout size (HxWxD) (mm)
 817-877 x 610 x 610

Overall appliance dimensions (HxWxD) (in)

32 3/16" x 23 9/16" x 21 5/8"

Overall appliance dimensions (HxWxD) (mm)

817 x 598 x 550

Power cord length (in)
 47 1/4"

Power cord length (cm)
 120

Length outlet hose (in)
 74 3/4"

Length outlet hose (cm)
 190

65"

Length inlet hose (cm)
 165

Product packaging dimensions (HxWxD) (in)

34 7/16" x 26" x 26 3/4"

Product packaging dimensions (HxWxD) (mm)

870 x 670 x 660

Tube material
 Stainless steel

Tube type
 EuroTub/ADA

ADA Compliant
 Yes

Number of place settings
 13

2020-09-13

Page 1

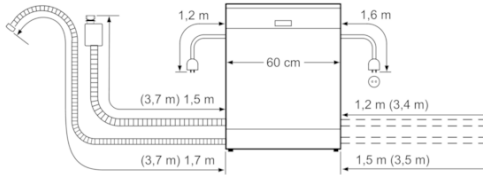
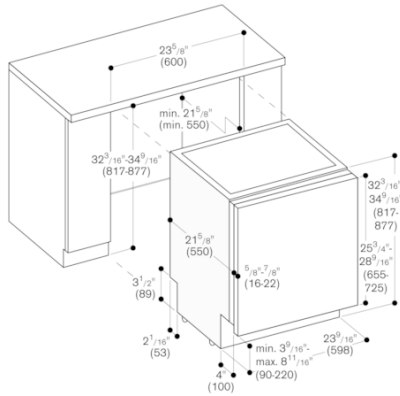
Color Variants

DF250762
Fully integrated
Height 81.7 cm, 34 1/8"

Optional accessories

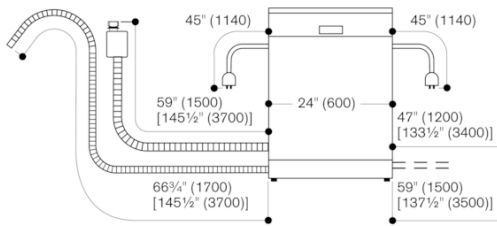
DA042030
DA043000
Holder for long-stemmed glasses
DA043060
GZ010011
Extension for inlet and outlet (78" long)

Dishwasher (32³/₁₆" (81.7 cm))



() Werte mit Verlängerungssatz

Connection dimensions for a 24" (600 mm) wide dishwasher



[] values with extension kit
 measurements in inches (mm)