



DF480700F
Dishwasher 400 series
Fully integrated
Height 81.7 cm, 34 1/8"
With flexible hinge



Flexible basket system with smooth running rails on all levels and cushioned closing of the upper and lower basket
 Perfectly illuminated interior
 Push-to-open function for perfect integration into handleless furniture fronts
 Very quiet: 42 dB

Handling

TFT display indicating remaining or end time, refill for salt and rinsing agent, inflow of water.
 Touch key operation.
 Information key with use indicators.
 Sanitized indicator in the control panel.
 Time delay up to 24 hours.
 Visual and acoustic end of programme indicator.

Technical Features

Perfectly illuminated interior.
 Aqua sensor.
 Load sensor.
 Automatic detergent function.
 Yes
 Flow-Through Water Heater™
 Triple filter system.
 Soft lock.
 Aqua stop.
 Home network integration for digital services (Home Connect) wireless via WiFi.
 The use of the Home Connect functionality depends on the Home Connect services, which are not available in every country. For further information please check: home-connect.com.

Programmes

Features

Flexible basket system with smooth running rails on all levels and cushioned closing of the upper and lower basket.
 Cutlery drawer.
 Cutlery basket.
 Holder for long-stemmed glasses.
 13 place setting capacity.
 Maximum glass loading capacity 23 wine glasses.

Consumption data

Energy star qualified
 Total annual energy consumption 269 kWh.
 From 2.35 gallons water.
 Noise level 42 dB (re 1 pW).

Planning notes

Height-adjustable feet.
 Appliance plinth recess 100 mm (see drawing).
 Rear feet adjustable at front.
 Door weight up to 11 kg.
 Door panel dimension dependent on plinth height of kitchen furniture.
 Installation and usage also with furniture handle possible. The push-to-open function remains active.

Connection

Total connected load 1440 W.
 Connecting cable pluggable.
 Water connection with 3/4" screw joint.
 Connection to hot or cold water possible.
 Power consumption standby/network 2.0 W.
 Please check the user manual for how to switch off the WiFi module.

Product Features

UPC code
825225963653

Variant color
Not applicable

Panel ready
Yes

Alternative colors available

Watts
1440

Fuse protection
12

Volts
120

Frequency
60

Energy Consumption
269

Energy Star® qualified
Yes

Plug type
Nema5-15P

Required cutout size (HxWxD) (in)
32 3/16" x 23 9/16" x 24"

Required cutout size (HxWxD)
817-877 x 610 x 610

Overall appliance dimensions (HxWxD) (in)
32 3/16" x 23 9/16" x 21 5/8"

Overall appliance dimensions (HxWxD)
817 x 598 x 550

Power cord length (in)
47 1/4"

Power cord length
120

Length outlet hose (in)
74 3/4"

Length outlet hose
190

Length inlet hose (in)
65"

Length inlet hose
165

Product packaging dimensions (HxWxD)
34 7/16" x 26" x 26 3/4"

Product packaging dimensions (HxWxD)
880 x 670 x 660

Tube material
Stainless steel

Tube type
EuroTub/ADA

ADA Compliant
Yes

Number of place settings
13

Consumption and connection features

2022-05-26
 Page 1

Color Variants

DF480700F
Fully integrated
Height 81.7 cm, 34 1/8"

Included accessories

1 x baking tray spray head.
 1 x GN container insert.
 1 x holder for long-stemmed glasses.

Optional accessories

DA020010
Stainless steel trim kit for Euro tub dishwashers

DA042030
Sterling silver cutlery cassette

DA043000
Holder for long-stemmed glasses

Installation Accessories

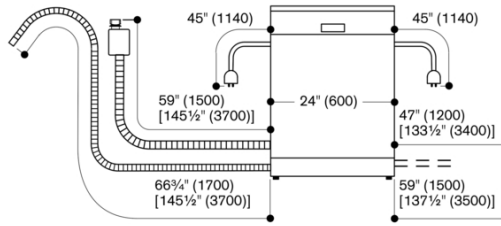
DA020010
Stainless steel trim kit for Euro tub dishwashers

GZ010011
Extension for inlet and outlet (78" long)

DF480700F
 Dishwasher 400 series
 Fully integrated
 Height 81.7 cm, 34 1/8"
 With flexible hinge

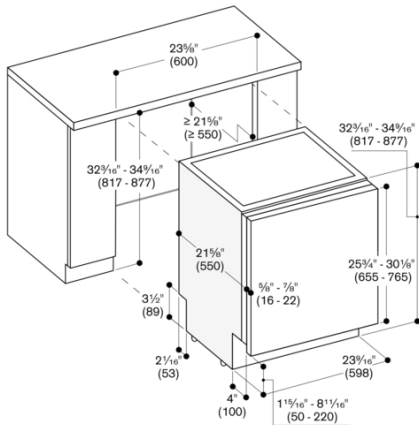
2022-05-26
 Page 2

Connection dimensions for a 24" (600 mm) wide dishwasher



[] values with extension kit
 measurements in inches (mm)

Dishwasher (32 2/16" (817)) with flexible hinge



measurements in inches (mm)