



DF481700F
Dishwasher 400 series
Fully integrated
Height 86.7 cm, 34 1/8"
With flexible hinge



Flexible basket system with smooth running rails on all levels and cushioned closing of the upper and lower basket
 Perfectly illuminated interior
 Push-to-open function for perfect integration into handleless furniture fronts
 Very quiet: 42 dB

Handling

TFT display indicating remaining or end time, refill for salt and rinsing agent, inflow of water.
 Touch key operation.
 Information key with use indicators.
 Sanitized indicator in the control panel.
 Time delay up to 24 hours.
 Visual and acoustic end of programme indicator.

Technical Features

Perfectly illuminated interior.
 Aqua sensor.
 Load sensor.
 Automatic detergent function.
 Yes
 Flow-Through Water Heater™
 Triple filter system.
 Soft lock.
 Aqua stop.
 Home network integration for digital services (Home Connect) wireless via WiFi.
 The use of the Home Connect functionality depends on the Home Connect services, which are not available in every country. For further information please check: home-connect.com.

Programmes

Features

Flexible basket system with smooth running rails on all levels and cushioned closing of the upper and lower basket.
 Cutlery drawer.
 Cutlery basket.
 Holder for long-stemmed glasses.
 13 place setting capacity.
 Maximum glass loading capacity 23 wine glasses.

Consumption data

Energy star qualified
 Total annual energy consumption 269 kWh.
 From 2.35 gallons water.
 Noise level 42 dB (re 1 pW).

Planning notes

Height-adjustable feet.
 Appliance plinth recess 100 mm (see drawing).
 Rear feet adjustable at front.
 Door weight up to 11 kg.
 Door panel dimension dependent on plinth height of kitchen furniture.
 Installation and usage also with furniture handle possible. The push-to-open function remains active.

Connection

Total connected load 1440 W.
 Connecting cable pluggable.
 Water connection with 3/4" screw joint.
 Connection to hot or cold water possible.
 Power consumption standby/network 2.0 W.
 Please check the user manual for how to switch off the WiFi module.

Product Features

UPC code
 825225963677
Variant color
 Not applicable
Panel ready
 Yes
Alternative colors available
Silence level
Watts
 1440
Fuse protection
 12
Volts
 120
Frequency
 60
Energy Consumption
 269
Energy Star® qualified
 Yes
Plug type
 Nema5-15P
Required cutout size (HxWxD) (in)
 x 34 1/8" x 23 9/16"
Required cutout size (HxWxD)
 867-927 x 610 x 610
Overall appliance dimensions (HxWxD) (in)
 34 1/8" x 23 9/16" x 21 5/8"
Overall appliance dimensions (HxWxD)
 867 x 598 x 550
Power cord length (in)
 47 1/4"
Power cord length
 120
Length outlet hose (in)
 74 3/4"
Length outlet hose
 190
 65"
Length inlet hose
 165
Product packaging dimensions (HxWxD)
 36 7/16" x 26" x 26 3/4"
Product packaging dimensions (HxWxD)
 930 x 670 x 660
Tube material
 Stainless steel
Tube type
 TallTub
ADA Compliant
 No
Number of place settings
 13

Consumption and connection features

2021-12-18
Page 1

Color Variants

DF481700F
Fully integrated
Height 86.7 cm, 34 1/8"

Included accessories

1 x baking tray spray head.
 1 x GN container insert.

Optional accessories

DA020110
Stainless steel trim kit for tall tub dishwashers
DA042030
Sterling silver cutlery cassette

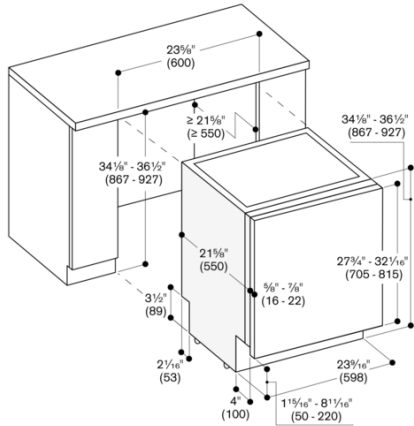
Installation Accessories

DA020110
Stainless steel trim kit for tall tub dishwashers
GZ010011
Extension for inlet and outlet (78" long)

DF481700F
 Dishwasher 400 series
 Fully integrated
 Height 86.7 cm, 34 1/8"
 With flexible hinge

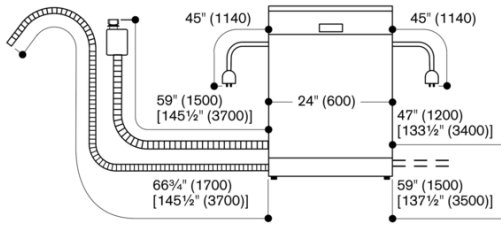
2021-12-18
 Page 2

Dishwasher (34 1/8" (867)) with flexible hinge



measurements in inches (mm)

Connection dimensions for a 24" (600 mm) wide dishwasher



[] values with extension kit
 measurements in inches (mm)