



EB333611

Oven

stainless steel

Width 90 cm

One-piece front-hinged door with 3 mm precision crafted stainless steel front door panel
Cushioned door opening and closing system
Diagonally positioned light sources for optimal interior lighting
Pyrolytic system
17 heating methods, with core temperature probe, rotisserie spit and baking stone function
Automatic programmes
Core temperature probe with estimation of cooking time
Hot air fan rotates in both directions for ideal heat distribution
TFT touch display
Panel-free appliance with control module behind glass
Electronic temperature control from 30 °C to 300 °C
Net volume 83 litres

Heating methods

Hot air. Eco hot air. Top + bottom heat. Top + 1/3 bottom heat. Top heat. 1/3 top + bottom heat. Bottom heat. Hot air + bottom heat. Hot air + 1/3 bottom heat. Full surface grill + circulated air. Full surface grill. Compact grill. Baking stone function. Roaster function. Dough proofing. Defrosting. Keeping warm.

Handling

Rotary knob and TFT touch display operation.
Clear text display.
Option to save individual recipes (incl. core temperature probe).
Personalisation of automatic programmes.
Information key with use indicators.
Front-hinged door with 90° door opening angle.

Features

Three-point core temperature probe with automatic shut-off and estimation of cooking time.
Automatic programmes.
Rotisserie spit.
Baking stone socket.
Actual temperature display.
Rapid heating.
Timer functions: cooking time, cooking time end, timer, stopwatch, long-term timer.
60 W halogen light on the top.
2 x 10 W halogen light on the side.
Enamelled side shelf supports with 3 tray levels, pyrolysis-safe.
Home network integration for digital services (Home Connect) either via cable connection LAN (recommended) or wireless via WiFi.
The use of the Home Connect functionality depends on the Home Connect services, which are not available in every country. For further information please check: home-connect.com.

Safety

Thermally insulated door with quintuple glazing.
Child lock.
Safety shut-off.
Cooled housing with temperature protection.

Cleaning

Product Features

Cooking mode

Baking stone function, Bottom heat, Conventional heat, Defrost, Dough proving setting, Full width grill, Half width grill, Hot Air, Hot Air-Eco, Hot air grilling, Roaster function, Top heat, warming

Integrated Cleaning system

Self Clean

Interior Lights - cavity 1

3

Pull-out system

Accessory

Timer settings

Alarm, Off, On, timer

x enamel baking tray, suit. pyrolytic clean, x rotary spit, x grill shelf, x grill tub with grid, x pluggable meat probe

Bake Element Wattages cavity 1 (W)

1700

Broil Element Wattages cavity 1 (W)

4250

Convection Element Wattages cavity 1 (W)

2070

Microwave Wattages (W)

Drawer wattage (W)

Consumption and connection features

UPC code

825225957454

Product color

Stainless steel

Alternative colors available

Energy source

Electric

Watts (W)

5860

Current (A)

25

Volts (V)

208/220-240

Frequency (Hz)

60

Approval certificates

CSA, ETL, UL

Power cord length (in)

47 1/4

Power cord length (cm)

120

Plug type

fixed connection

18 11/16 x 33 7/8 x 22 1/16

Required cutout size (HxWxD) (mm)

475-475 x 860-860 x 560

Overall appliance dimensions (HxWxD) (mm)

480 x 890 x 550

Product packaging dimensions (HxWxD) (in)

27 9/16 x 39 3/4 x 28 15/16

Product packaging dimensions (HxWxD) (mm)

660 x 730 x 1000

Net weight (lbs)

177.000

Net weight (kg)

80.336

Gross weight (lbs)

200.000

Gross weight (kg)

90.5

2020-09-03

Page 1

Pyrolytic system.

Gaggeneau enamel.

Heated catalyser to clean the oven air.

Planning notes

The door panel surface of the appliance extends 40 mm from the furniture cavity.

The outer edge of the door handle extends 90 mm from the furniture cavity.

For installation underneath cooktops: Distance between the underside of the cooktop and the top edge of the oven cavity: min. 15 mm. The planning notes for the cooktops (particularly regarding ventilation, gas/electric connection) must be taken into account.

To achieve the 550 mm installation depth, the connection cable needs to follow the slanted edge on the corner of the housing.

The mains socket needs to be planned outside the built-in niche.

Connection

Total connected load 5.9 KW.

Total Amps: 25 A.

208 / 220 - 240 V / 60 Hz.

Connection cable 1.2 m without plug.

Power consumption standby/display off 0.5 W.

Power consumption standby/network 1.5 W.

Please check the user manual for how to switch off the WiFi module.

GAGGENAU

EB333611

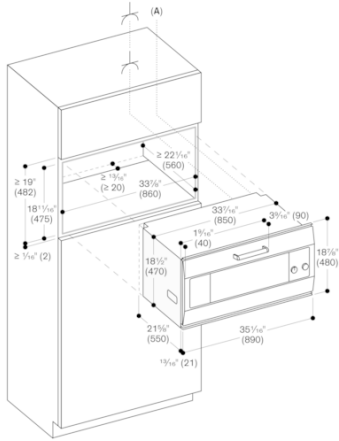
Oven

stainless steel

Width 90 cm

2020-09-03

Page 2



A: LAN Port
A: Socket

measurements in inches (mm)