



RB492705

Vario fridge-freezer combination 400 series

With fresh cooling close to 0 °C

Fully integrated

Niche width 91.4 cm, Niche height 213.4 cm

Cooling section with one door and one fully extendable freezing drawer



Stainless steel interior with solid anthracite aluminium elements
Warm white and glare-free LED light spots

Opening assist for door with two options:

1. Push-to-open function for integration into handleless furniture front
 2. Pull-to-open function to facilitate opening the door using a handle
- Flat stainless steel inner door, full-length

Almost invisible rail system for shelves and door racks for flexible positioning
Solid anthracite aluminium door racks
1 fresh cooling drawer close to 0 °C with manually adjustable temperature and 1 fresh cooling drawer with manually adjustable humidity
Integrated ice maker with fixed inlet water connection

Fully extendable freezer drawer with practical divider in anthracite
TFT touch display
Net volume 553 litres
Energy star qualified

Handling

TFT touch display operation.
Clear text display.

Technical Features

Dynamic cold air distribution.
Automatic defrosting with defrost water evaporation.

Cushioned door closing system.
Activated charcoal air filter.

Rest mode certified by Star-K.
When rest mode is active, the appliance can only be opened using a handle.
Open-door and malfunction alarm.
Home network integration for digital services (Home Connect) wireless via WiFi.

The use of the Home Connect functionality depends on the Home Connect services, which are not available in every country. For further information please check: home-connect.com.

Cooling

No-Frost technology with fast cooling.
Temperature adjustable from +2 °C to +8 °C.

Flat door rail system with fully flexible positioning of door racks.
3 height adjustable door racks, 1 of which is extra deep.
Net volume 397 litres.

Fresh cooling close to 0 °C

1 fully extendable fresh cooling drawer close to 0 °C with transparent front, illuminated.
Temperature can be adjusted manually.
Ideal for meat, fish and poultry.
Net volume 0 litres.

Fresh cooling

1 fully extendable fresh cooling drawer with transparent front, illuminated.
Humidity can be adjusted manually.
Ideal for fruit and vegetables.

Freezing

No-frost technology with fast freezing at -30 °C.
Temperature adjustable from -16 °C to -24 °C.
4-star freezer compartment.
Freezing capacity 7.8 kg/24 h.

Product Features

UPC code

825225961000

Color / Material housing

Variant color

Not applicable

Panel ready

Not possible

Silence level (dBA)

42

Watts (W)

350

Current (A)

10

Volts (V)

110-120

Frequency (Hz)

60

Energy consumption (kWh/yr)

504.1

Energy Star® qualified

Yes

Approval certificates

CSA

Power cord length (in)

118,1"

Required cutout size (HxWxD) (in)

84" x 36" x 24 3/4"

Appliance Width (in)

35 3/4"

Height (in)

83 3/4 "

Depth (in)

24"

Capacity in 0.75l (bordeaux bottles)

Total unit gross capacity (cu. ft.) - AHAM

19.5

Product packaging dimensions (HxWxD) (in)

89.37 x 29.33 x 39.37

Refrigerator Gross capacity (cu. ft.)

14.0

Freezer Gross capacity (cu ft)

6

Net weight (lbs)

446.000

Gross weight (lbs)

489.000

SKU

RB492705

Consumption and connection features

2021-06-20

Page 1

Interior lighting with 2 LED light spots, warm white light.
Net volume 156 litres.

Ice maker

Integrated in the freezer compartment, with fixed inlet water connection.
Particle filter for water inlet, integrated in ventilation grille area.
Can be switched off.
Ice cube production approx. 1.3 kg/24 h.
Removable ice storage container with approx. 3 kg capacity.

Consumption data

Energy consumption 504 kWh/year.
Noise level 42 dB (re 1 pW).

Planning notes

Flat hinge.
Door hinge right, reversible.
Door opening angle of 115°, fixable at 90°.
Max. door panel weight:
Door 103 lbs (47 kg).
Drawer 22 lbs (10 kg).
Shut-off valve for water connection must be planned next to the appliance and always be accessible.
If the water pressure exceeds 0.8 MPa (8 bar), connect pressure relief valve between water tap and hose set.

Connection

Total connected load 0.350 KW.
Total Amps: 10 A.
Connecting cable 118" (3.0 m), detachable.
Water inlet.
Supply hose length 1.3 m mit 3/4" connection.
Water pressure 2 to 8 bar.

Color Variants

RB492705

With fresh cooling close to 0 °C

Fully integrated

Included accessories

1 x egg box with lid.

1 x ice cube scoop.

Optional accessories

RA430100

Installation Accessories

RA421913

Stainless steel door panel with handles

RA423340

RA425110

Handle bar, stainless steel, long

RA425910

Handle bar, stainless steel, short

RA428913

RA460000

Installation kit for side-by-side installation (for connecting any two columns)

RA460012

RA460030

Connecting element for vertically split fronts (for fridge-freezer combination with one door)

RA464913

Ventilation grille stainless steel

GAGGENAU

RB492705

Vario fridge-freezer combination 400 series

With fresh cooling close to 0 °C

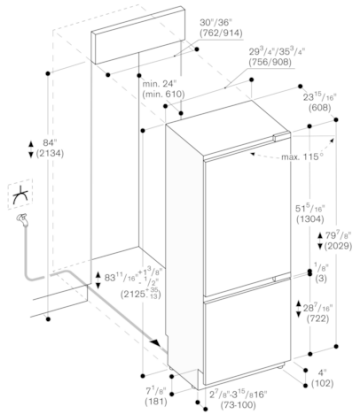
Fully integrated

Niche width 91.4 cm, Niche height 213.4 cm

Cooling section with one door and one fully extendable freezing drawer

2021-06-20

Page 2



The maximum door front dimensions are based on a clearance of 3/8" (9.5mm).

