



#### Color Variants

**RF461705**  
Fully integrated, with ice maker  
Niche width 61 cm, Niche height 213.4 cm

#### Included accessories

1 x ice cube scoop.  
1 x connection set.  
1 x Ice storage container.  
large.

#### Optional accessories

**RA448220**

#### Installation Accessories

**RA421615**  
Stainless steel door panel with handle  
**RA423140**  
**RA425110**  
Handle bar, stainless steel, long  
**RA428615**  
**RA460012**  
**RA460020**  
Connecting element for vertically split appliance fronts (for a flush front)  
**RA464616**  
Ventilation grille stainless steel

**RF461705**  
**Vario freezer 400 series**  
Fully integrated, with ice maker  
Niche width 61 cm, Niche height 213.4 cm



Stainless steel interior with solid anthracite aluminium elements  
Warm white and glare-free LED light spots  
Opening assist for door with two options:  
1. Push-to-open function for integration into handleless furniture front  
2. Pull-to-open function to facilitate opening the door using a handle  
The drawers in the RC and RF models are positioned at the same height.  
With side-by-side installation, the glass shelves and door racks can be aligned on the same level  
Material and aesthetics of interior as for RC model  
- Glass shelves  
- Solid anthracite aluminium door racks  
Flat stainless steel inner door, full-length  
Almost invisible rail system for shelves and door racks for flexible positioning  
Integrated ice maker with fixed inlet water connection  
TFT touch display  
Net volume 345 litres  
Energy star qualified

#### Handling

TFT touch display operation.  
Clear text display.

#### Technical Features

Dynamic cold air distribution.  
Automatic defrosting with defrost water evaporation.  
Cushioned door closing system.  
Rest mode certified by Star-K.  
When rest mode is active, the appliance can only be opened using a handle.  
Open-door and malfunction alarm.  
Home network integration for digital services (Home Connect) wireless via WiFi.  
The use of the Home Connect functionality depends on the Home Connect services, which are not available in every country. For further information please check: [home-connect.com](http://home-connect.com).

#### Freezing

No-frost technology with fast freezing at -30 °C.  
Temperature adjustable from -16 °C to -24 °C.  
4-star freezer compartment.  
Freezing capacity 6.3 kg/24 h.  
4 safety glass shelves, white glass, 3 of which are individually height adjustable.  
2 fully extendable drawers with transparent front.  
Brilliant LED light spots with warm white, glare-free light.  
Flat door rail system with fully flexible positioning of door racks.  
4 height-adjustable door racks.

#### Ice maker

Integrated in the freezer compartment, with fixed inlet water connection.  
Particle filter for water inlet, integrated in ventilation grille area.  
Can be switched off.  
Ice cube production approx. 1.3 kg/24 h.  
Removable ice storage container with approx. 2.5 kg capacity.

#### Product Features

**UPC code**  
825225960928  
**Variant color**  
Not applicable  
**Panel ready**  
**Installation Type**  
N/A  
**Silence level (dBA)**  
42  
**Watts (W)**  
350  
**Current (A)**  
10  
**Volts (V)**  
110-120  
**Frequency (Hz)**  
60  
**Energy consumption (kWh/yr)**  
435.0  
**Energy Star® qualified**  
Yes  
**Approval certificates**  
CSA  
**Power cord length (in)**  
118,1"  
**Plug type**  
120V-3 prong  
**Appliance dimensions (h x w x d) inch**  
83 3/4 " x 23 3/4 " x 24"  
**Required cutout size (HxWxD) (in)**  
84" x 24" x 24 3/4"  
**Appliance Width (in)**  
23 3/4 "  
**Height (in)**  
83 3/4 "  
**Depth (in)**  
24"  
**Product packaging dimensions (HxWxD) (in)**  
88.97 x 26.77 x 29.72  
**Total unit gross capacity (cu. ft.) - AHAM**  
12.2  
**Net weight (lbs)**  
322.000  
**Gross weight (lbs)**  
355.000

#### Consumption and connection features

2021-06-20  
Page 1

## Consumption data

Energy consumption 435 kWh/year.  
Noise level 42 dB (re 1 pW).

#### Planning notes

Flat hinge.  
Door hinge left, reversible.  
Door opening angle of 115°, fixable at 90°.  
For installation with a door opening angle of 90° the ice storage container must be exchanged for the small ice storage container (RA 448220). This must be done prior to fixing the door.  
Max. door panel weight 90 lbs (41 kg).  
Shut-off valve for water connection must be planned next to the appliance and always be accessible.  
If the water pressure exceeds 0.8 MPa (8 bar), connect pressure relief valve between water tap and hose set.

#### Connection

Total connected load 0.350 KW.  
Total Amps: 10 A.  
Connecting cable 118" (3.0 m), detachable.  
Water inlet.  
Supply hose length 1.2 m mit 3/4" connection.  
Water pressure 2 to 8 bar.

RF461705

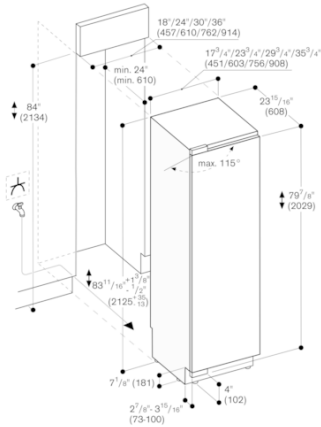
Vario freezer 400 series

Fully integrated, with ice maker

Niche width 61 cm, Niche height 213.4 cm

2021-06-20

Page 2



The maximum door front dimensions are based on a clearance of 3mm.

