



Color Variants

RF471705
Fully integrated, with ice maker
Niche width 76.2 cm, Niche height 213.4 cm

Included accessories

1 x ice cube scoop.
 1 x connection set.
 1 x Ice storage container.
 large.

Optional accessories

RA448220

Installation Accessories

RA421713
Stainless steel door panel with handle
RA423140
RA425110
Handle bar, stainless steel, long
RA428713
RA460012
RA460020
Connecting element for vertically split appliance fronts (for a flush front)
RA464714
Ventilation grille stainless steel

RF471705
Vario freezer 400 series
Fully integrated, with ice maker
Niche width 76.2 cm, Niche height 213.4 cm



Stainless steel interior with solid anthracite aluminium elements
 Warm white and glare-free LED light spots

Opening assist for door with two options:

1. Push-to-open function for integration into handleless furniture front
 2. Pull-to-open function to facilitate opening the door using a handle
- The drawers in the RC and RF models are positioned at the same height.
 With side-by-side installation, the glass shelves and door racks can be aligned on the same level

Material and aesthetics of interior as for RC model
 - Glass shelves
 - Solid anthracite aluminium door racks
 Flat stainless steel inner door, full-length
 Almost invisible rail system for shelves and door racks for flexible positioning
 Integrated ice maker with fixed inlet water connection
 TFT touch display
 Net volume 447 litres
 Energy star qualified

Handling

TFT touch display operation.
 Clear text display.

Technical Features

Dynamic cold air distribution.
 Automatic defrosting with defrost water evaporation.
 Cushioned door closing system.
 Rest mode certified by Star-K.
 When rest mode is active, the appliance can only be opened using a handle.
 Open-door and malfunction alarm.
 Home network integration for digital services (Home Connect) wireless via WiFi.
 The use of the Home Connect functionality depends on the Home Connect services, which are not available in every country. For further information please check: home-connect.com.

Freezing

No-frost technology with fast freezing at -30 °C.
 Temperature adjustable from -16 °C to -24 °C.
 4-star freezer compartment.
 Freezing capacity 11.7 kg/24 h.
 4 safety glass shelves, white glass, 3 of which are individually height adjustable.
 2 fully extendable drawers with transparent front.
 Brilliant LED light spots with warm white, glare-free light.
 Flat door rail system with fully flexible positioning of door racks.
 4 height-adjustable door racks.

Ice maker

Integrated in the freezer compartment, with fixed inlet water connection.
 Particle filter for water inlet, integrated in ventilation grille area.
 Can be switched off.
 Ice cube production approx. 1.5 kg/24 h.
 Removable ice storage container with approx. 2.5 kg capacity.

Product Features

UPC code
 825225961130

Variation color
 Not applicable

Panel ready

Installation Type
 N/A

Silence level (dBA)
 42

Watts (W)
 350

Current (A)
 10

Volts (V)
 110-120

Frequency (Hz)
 60

Energy consumption (kWh/yr)
 478.8

Energy Star® qualified
 Yes

Approval certificates
 CSA

Power cord length (in)
 118,1"

Plug type
 120V-3 prong

Appliance dimensions (h x w x d) inch
 83 3/4 " x 29 3/4" x 24"

Required cutout size (HxWxD) (in)
 84" x 30" x 24 3/4"

Appliance Width (in)
 29 3/4"

Height (in)
 83 3/4 "

Depth (in)
 24"

Product packaging dimensions (HxWxD) (in)
 88.97 x 33.07 x 29.72

Total unit gross capacity (cu. ft.) - AHAM
 15.8

Net weight (lbs)
 362.000

Gross weight (lbs)
 400.000

Consumption and connection features

2021-06-20
 Page 1

Consumption data

Energy consumption 479 kWh/year.
 Noise level 42 dB (re 1 pW).

Planning notes

Flat hinge.
 Door hinge left, reversible.
 Door opening angle of 115°, fixable at 90°.

For installation with a door opening angle of 90° the ice storage container must be exchanged for the small ice storage container (RA 448220). This must be done prior to fixing the door.
 Max. door panel weight 130 lbs. (59 kg).
 Shut-off valve for water connection must be planned next to the appliance and always be accessible.

If the water pressure exceeds 0.8 MPa (8 bar), connect pressure relief valve between water tap and hose set.

Connection

Total connected load 0.350 KW.
 Total Amps: 10 A.

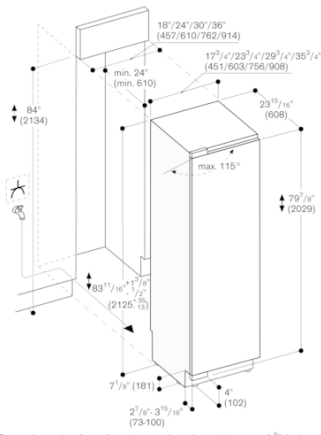
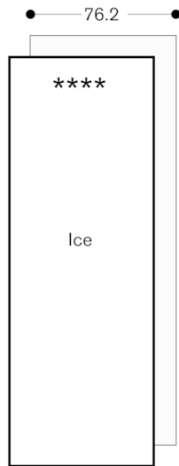
Connecting cable 118" (3.0 m), detachable.

Water inlet.
 Supply hose length 1.2 m mit 3/4" connection.

Water pressure 2 to 8 bar.

RF471705
Vario freezer 400 series
Fully integrated, with ice maker
Niche width 76.2 cm, Niche height 213.4 cm

2021-06-20
Page 2



The maximum door front dimensions are based on a clearance of 3/16".