



RW414765
Vario wine climate cabinet 400 series
Fully integrated, with glass door
Niche width 45.7 cm, Niche height 213.4 cm



2 independently controllable climate zones
 Consistent temperatures with exact control from 41 °F to 64 °F
 Humidity control
 Stainless steel interior
 Fully extendable bottle trays in oak wood and solid aluminium in anthracite
 Bottle trays with hidden telescopic rails
 Warm white and glare-free LED light spots
 5 preset lighting scenarios, selectable via TFT display
 Opening assist for door with two options:
 1. Push-to-open function for integration into handleless furniture front
 2. Pull-to-open function to facilitate opening the door using a handle
 Low-vibration operation
 TFT touch display
 Capacity 70 bottles
 Energy star qualified

Handling
 TFT touch display operation.
 Clear text display.

Technical Features
 Dynamic cold air distribution.
 Automatic defrosting with defrost water evaporation.
 Cushioned door closing system.
 Activated charcoal air filter.
 UV-protection.
 Rest mode certified by Star-K.
 When rest mode is active, the appliance can only be opened using a handle.
 Open-door and malfunction alarm.
 Home network integration for digital services (Home Connect) wireless via WiFi.
 The use of the Home Connect functionality depends on the Home Connect services, which are not available in every country. For further information please check: home-connect.com.

Features
 Capacity 70 bottles (based on 0.75/l standard bottles).
 12 bottle trays,
 - 10 fully extendable trays
 - 3 suitable for storage of Magnum bottles.
 Flexible interior configuration possible by adding or removing fully extendable bottle trays.
 Storage of up to 6 Magnum bottles with standard tray configuration (12 bottle trays).
 Space for max. 13 bottle trays.
 2 brilliant LED light spots with warm white, glare-free light in each climate zone.
 5 different lighting scenarios can be selected for individual wine presentation.
 Net volume 279 litres.

Consumption data
 Energy consumption 162 kWh/year.
 Noise level 42 dB (re 1 pW).

Planning notes
 Flat hinge.
 Door hinge right, reversible.
 Door opening angle of 115°, fixable at 90°.

Product Features
UPC code
 825225961178
Color / Material housing
Variant color
 Not applicable
Panel ready
 Not possible
Installation Type
 N/A
Silence level (dBA)
 42
Watts (W)
 350
Current (A)
 10
Volts (V)
 110-120
Frequency (Hz)
 60
Energy consumption per Year (kWh/a) winecooler
 162.0
Approval certificates
 CSA
Power cord length (in)
 118,1"
Plug type
 120V-3 prong
Required cutout size (HxWxD) (in)
 84" x 18" x 24 3/4"
Appliance Width (in)
 17 3/4"
Height (in)
 83 3/4 "
Depth (in)
 24"
Capacity in 0.75l (bordeaux bottles)
 70
Total unit gross capacity (cu. ft.) - AHAM
Product packaging dimensions (HxWxD) (in)
 88.97 x 22.04 x 29.13
Net weight (lbs)
 281.000
Gross weight (lbs)
 310.000

Consumption and connection features
2021-06-20
 Page 1

Color Variants
RW414765
Fully integrated, with glass door
Niche width 45.7 cm, Niche height 213.4 cm

Included accessories
 1 x connection set.

Optional accessories
RA491161
RA492160
RA493060

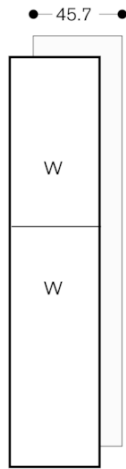
Installation Accessories
RA420010
Door lock
RA421116
Stainless steel door panel frame with handle
RA421117
Stainless steel door panel frame with handle
RA423140
RA425110
Handle bar, stainless steel, long
RA428116
RA460012
RA460020
Connecting element for vertically split appliance fronts (for a flush front)
RA464111
Ventilation grille stainless steel

Max. door panel weight 160 lbs. (73 kg).
 The mains socket needs to be planned outside the built-in niche.

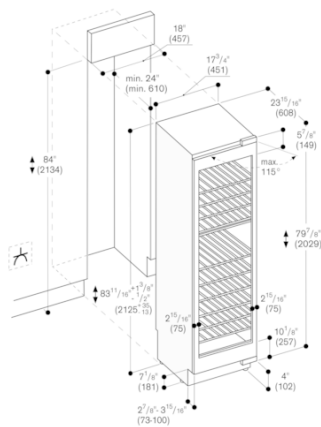
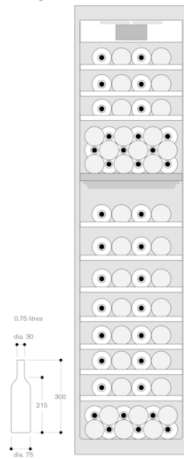
Connection
 Total connected load 0.350 KW.
 Total Amps: 10 A.
 Connecting cable 118" (3.0 m), detachable.

RW414765
 Vario wine climate cabinet 400 series
 Fully integrated, with glass door
 Niche width 45.7 cm, Niche height 213.4 cm

2021-06-20
 Page 2



Bottle storage



The maximum door front dimensions are based on a clearance of (30mm).