

Color Variants

VG231220CA
Black control panel
Width 28 cm

Optional accessories

WP400001
Wok pan made of multiple-layer material

VG231220CA

Vario gas wok 200 series

Black control panel

Width 28 cm

Natural gas 15 mbar

Wok burner with up to 5.5 kW

Can be combined with the cooktops of the Vario 200 series to a harmonic unity Control panel for comfortable and secure operation
Mechanical power level regulation for 9 power levels, with exact setting and reproduction of flame size
Multi-ring burner of solid, heat-resistant brass as used in professional kitchen
Total output up to 5.5 KW

Cooking zones

1 multi-ring wok burner (300 W – 5500 W), suitable for pots up to max. ø 30 cm.

Handling

Control knobs with illuminated ring.
Integrated control panel.
One-handed operation.
Electric ignition.
To close the cover, the cast iron pan support can be easily reversed.

Features

Cast iron pan support.
Brass burner rings.

Safety

Thermoelectric safety pilot.
Residual heat indication.
Operation indicator.

Planning notes

Special nozzles can be ordered as spare parts.
Appliance can be snapped into the worktop from above.
A minimum lateral clearance of at least 11 13/16" from adjacent heat-sensitive furniture or contact surfaces must be observed or thermal insulation fitted.
With a total connected load of more than 11 kW local regulations concerning room ventilation, room size and combination of extraction or recirculation hoods must be observed.
Minimum clearance between gas cooktop(s) with more than 11 kW and ventilation hood 70 cm.
Appliance weight: approx. 10.

Connection

Total connected load gas 5.5 KW.
Total connected load electric 10.0 W.
Connecting cable 1.5 m with plug.

Product Features

Product name / series name

Vario/Domino gas hob w control

Construction type

Built-in

Energy source

Gas

Total number of cooktop burners

1

Required cutout size (HxWxD) (mm)

106 x 268 x 492

Width of the product (mm)

288

Overall appliance dimensions (HxWxD) (mm)

106 x 288 x 512

Product packaging dimensions (HxWxD) (mm)

260 x 400 x 600

Net weight (kg)

10.114

Gross weight (kg)

11.3

Residual heat indicator

Location of control panel

Basic surface material

brushed stainless steel

Color of surface

Stainless steel

Color of frame

Stainless steel

Approval certificates

CSA, CSA, CSA

Power cord length (cm)

150

Consumption and connection features

Watts (W)

10

Gas connection rating (W)

5500

Current (A)

10

Volts (V)

100-120

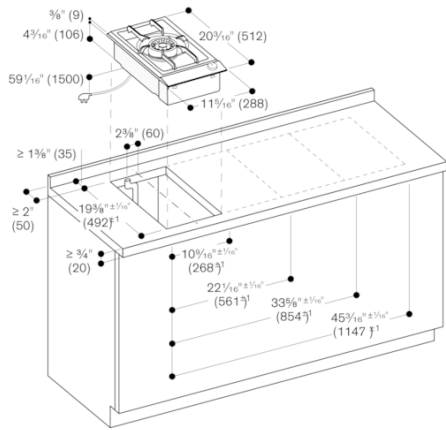
Frequency (Hz)

60

2020-09-03

Page 1

VG231220CA
Vario gas wok 200 series
Black control panel
Width 28 cm
Natural gas 15 mbar
Wok burner with up to 5.5 kW
 2020-09-03
 Page 2



Minimum distance from the appliance cut-out to the side wall $11\frac{13}{16}''$ (300 mm).
 measurements in inches (mm)

Gas connection

