



VG295150CA
Gas cooktop 200 series
Width 90 cm
Liquid gas 27,5 mbar
Wok burner with 5 KW

Control panel for comfortable and secure operation
Mechanical power level regulation for 9 power levels, with exact setting and reproduction of flame size
Multi-ring burner of solid, heat-resistant brass as used in professional kitchen
Solid smooth-surface cast iron pan supports
Top appliance in the market, 17 kW on 5 burners

Cooking zones

1 multi-ring wok burner (300 W – 5000 W), suitable for pots up to max. ø 32 cm.
2 two-ring high output burners (170 W – 4000 W), suitable for pots up to max. ø 28 cm.
2 two-ring standard burners (170 W – 2000 W), suitable for pots up to max. ø 28 cm.

Handling

Control knobs with illuminated ring.
Integrated control panel.
One-handed operation.
Electric ignition.

Features

Three-part cast iron pan support with flat, continuous pot surface.
Brass burner rings.

Safety

Thermoelectric safety pilot.
Residual heat indication.
Operation indicator.

Planning notes

No intermediate shelf required.
Appliance can be snapped into the worktop from above.
Rear panel and wall trims must be heat-resistant and consist of a non-flammable material.
Installation in a 90 cm wide lower cabinet is required.
A minimum lateral clearance of at least 11 13/16" from adjacent heat-sensitive furniture or contact surfaces must be observed or thermal insulation fitted.
With a total connected load of more than 11 kW local regulations concerning room ventilation, room size and combination of extraction or recirculation hoods must be observed.
Minimum clearance between gas cooktop(s) with more than 11 kW and ventilation hood 70 cm.
Appliance weight: approx. 29.

Connection

Total connected load gas 17.0 KW.
Total connected load electric 10.0 W.
Connecting cable 1.5 m with plug.

Product Features

Product name / series name
gas hob w integrated controls

Construction type

Built-in

Energy source

Gas

Total number of cooktop burners

5

Required cutout size (HxWxD) (mm)

106 x 885 x 492

Width of the appliance

914

Dimensions

106 x 914 x 510

Product packaging dimensions

(HxWxD) (mm)

290 x 700 x 1010

Net weight (kg)

28.879

Gross weight (kg)

31.2

Residual heat indicator

Location of control panel

Basic surface material

brushed stainless steel

Color of surface

Stainless steel

Color of frame

Stainless steel

Approval certificates

CSA, CSA, CSA

Power cord length (cm)

150

Watts (W)

10

Gas connection rating (W)

17000

Current (A)

15

Volts (V)

110-120

Frequency (Hz)

50-60

Consumption and connection features

2021-06-08

Page 1

Color Variants

VG295150CA

Width 90 cm

Liquid gas 27,5 mbar

Included accessories

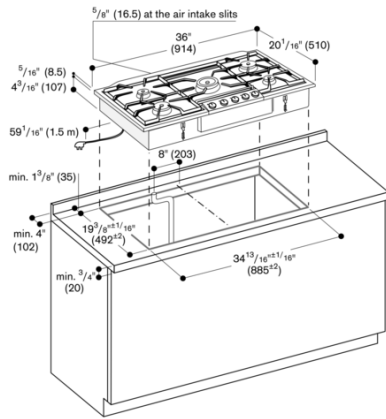
1 x WOK attachment ring.

Optional accessories

WP400001

Wok pan made of multiple-layer material

VG295150CA
 Gas cooktop 200 series
 Width 90 cm
 Liquid gas 27,5 mbar
 Wok burner with 5 KW
 2021-06-08
 Page 2



Minimum distance from the appliance cut-out to the side wall 11 3/8" (297 mm).

Gas connection

