



VG295250CA
Gas cooktop 200 series
Width 90 cm
Natural gas 15 mbar
Wok burner with 5.5 KW

Control panel for comfortable and secure operation
Mechanical power level regulation for 9 power levels, with exact setting and reproduction of flame size
Multi-ring burner of solid, heat-resistant brass as used in professional kitchen
Solid smooth-surface cast iron pan supports
Top appliance in the market, 17.5 kW on 5 burners

Cooking zones

1 multi-ring wok burner (300 W – 5500 W), suitable for pots up to max. ø 32 cm.
2 two-ring high output burners (170 W – 4000 W), suitable for pots up to max. ø 28 cm.
2 two-ring standard burners (170 W – 2000 W), suitable for pots up to max. ø 28 cm.

Handling

Control knobs with illuminated ring.
Integrated control panel.
One-handed operation.
Electric ignition.

Features

Three-part cast iron pan support with flat, continuous pot surface.
Brass burner rings.

Safety

Thermoelectric safety pilot.
Residual heat indication.
Operation indicator.

Planning notes

No intermediate shelf required.
Appliance can be snapped into the worktop from above.
Rear panel and wall trims must be heat-resistant and consist of a non-flammable material.
Installation in a 90 cm wide lower cabinet is required.
A minimum lateral clearance of at least 11 13/16" from adjacent heat-sensitive furniture or contact surfaces must be observed or thermal insulation fitted.
With a total connected load of more than 11 kW local regulations concerning room ventilation, room size and combination of extraction or recirculation hoods must be observed.
Minimum clearance between gas cooktop(s) with more than 11 kW and ventilation hood 70 cm.
Appliance weight: approx. 29.

Connection

Total connected load gas 17.5 KW.
Total connected load electric 10.0 W.
Connecting cable 1.5 m with plug.

Product Features

Product name / series name
gas hob w integrated controls

Construction type
Built-in

Energy source
Gas

Total number of cooktop burners
5

Required cutout size (HxWxD)
106 x 885 x 492

Width of the appliance
914

Dimensions
106 x 914 x 510

Product packaging dimensions (HxWxD)
290 x 700 x 1010

Net weight
28.879

Gross weight
31.2

Residual heat indicator
Separate

Location of control panel
Hob front

Basic surface material
brushed stainless steel

Color of surface
Stainless steel

Color of frame
Stainless steel

Approval certificates
CSA, CSA, CSA

Power cord length
150

Watts
10

Gas connection rating
17500

Fuse protection
15

Volts
110-120

Frequency
60

Consumption and connection features

2021-12-14
Page 1

Color Variants

VG295250CA
Width 90 cm
Natural gas 15 mbar

Included accessories

1 x WOK attachment ring.

Optional accessories

WP400001
Wok pan made of multiple-layer material

VG295250CA

Gas cooktop 200 series

Width 90 cm

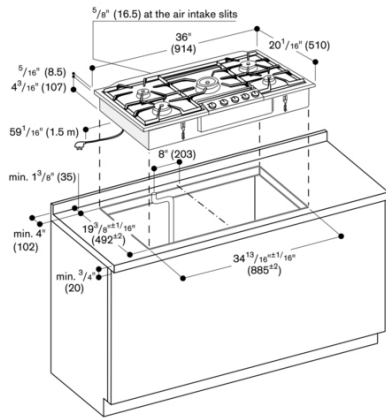
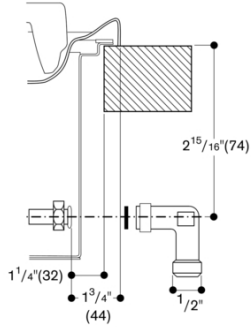
Natural gas 15 mbar

Wok burner with 5.5 KW

2021-12-14

Page 2

Gas connection



Minimum distance from the appliance cut-out to the side wall 11 (300 mm).